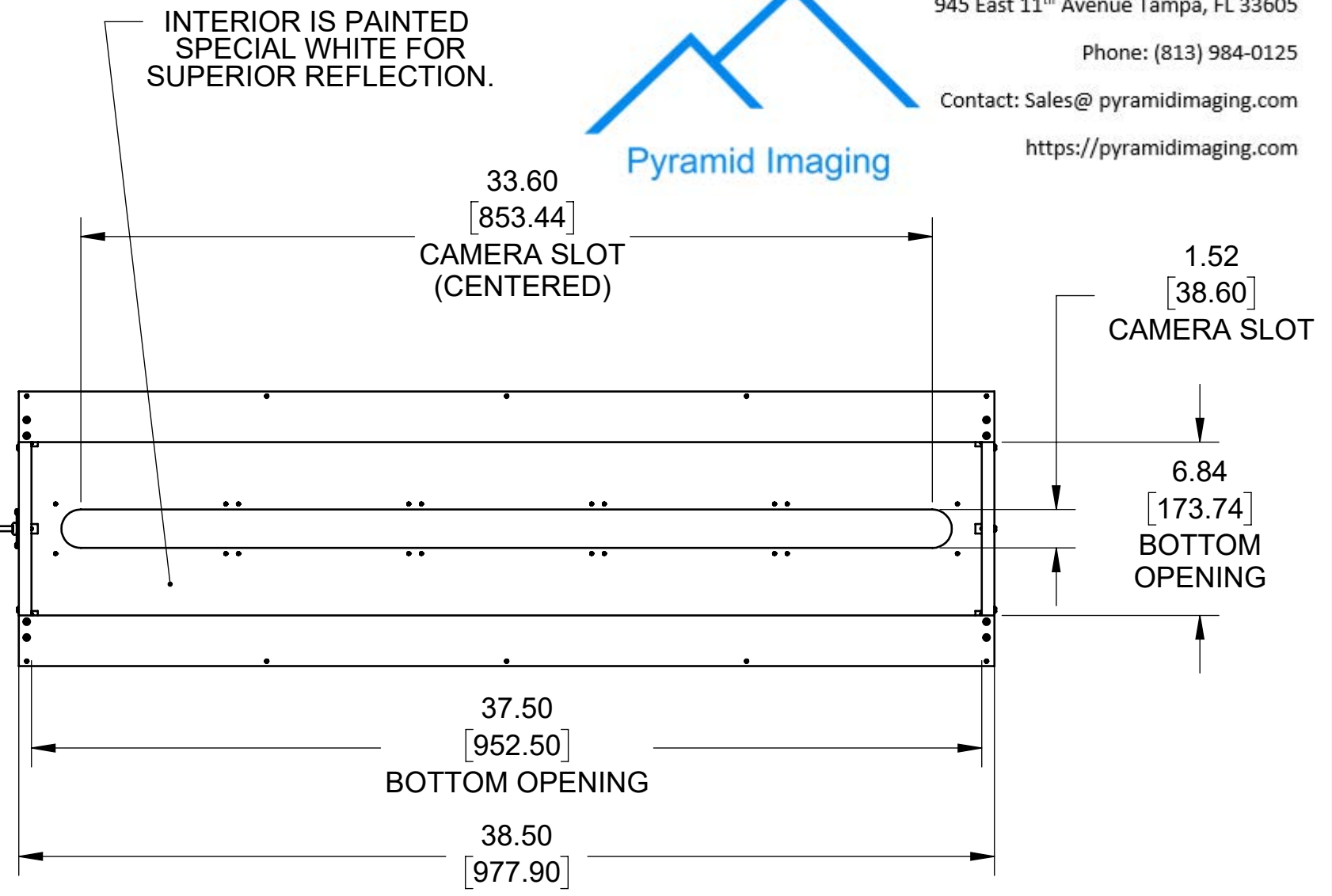
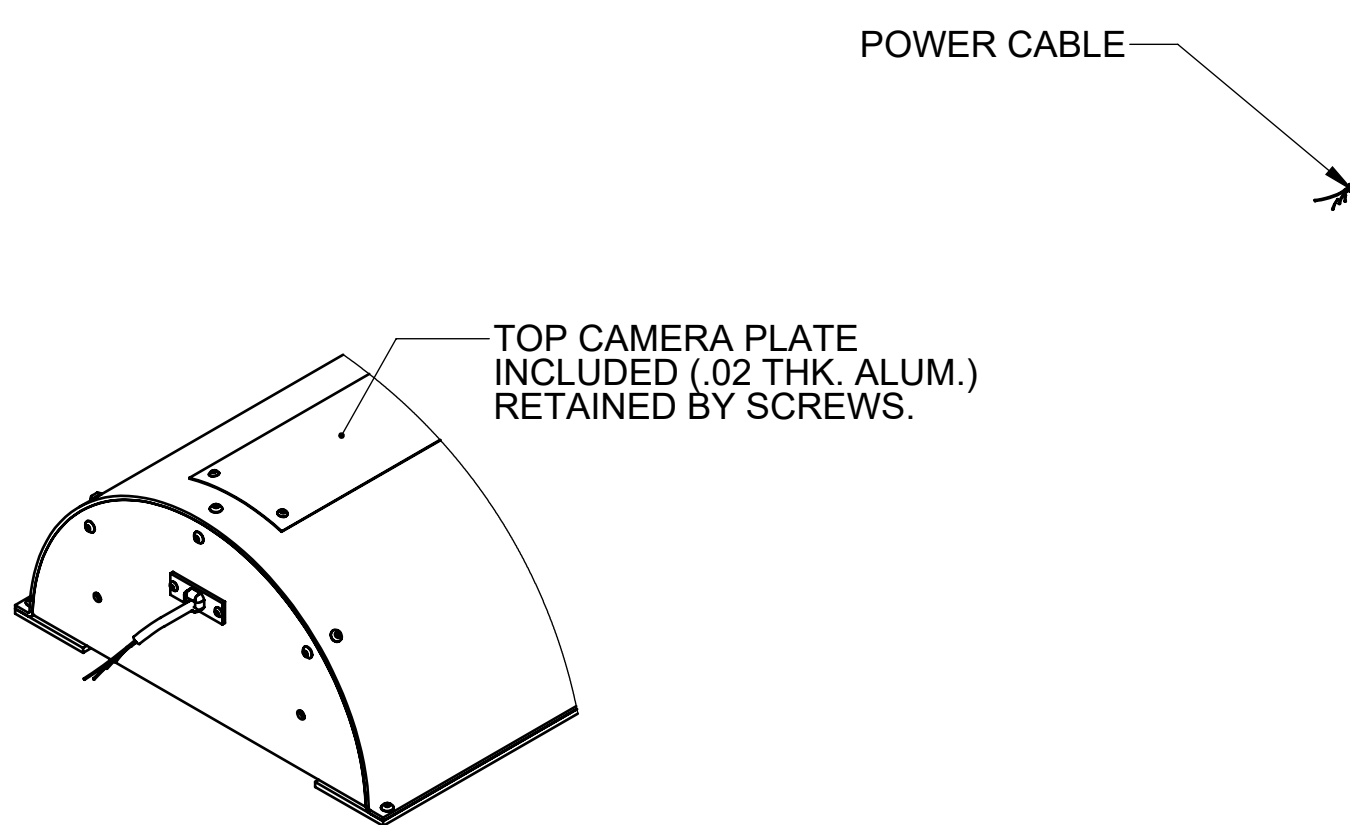


REVISIONS			
REV.	DESCRIPTION	DATE	APPROVED
A	INITIAL RELEASE	11/3/2015	
B	PARTS CHANGED TO USE SIMILAR PARTS THROUGHOUT THE MODEL LINE IF POSSIBLE.	2/18/2016	
C	REMOVED 4X #8-32 CLINCH NUT	1/9/2018	

945 East 11th Avenue Tampa, FL 33605
 Phone: (813) 984-0125
 Contact: Sales@pyramidimaging.com
<https://pyramidimaging.com>



INTERIOR IS PAINTED SPECIAL WHITE FOR SUPERIOR REFLECTION.



BOTTOM VIEW

Metaphase Technologies, Inc. 211 Sinclair Road, Suite 100, Bristol, PA. 19007 215-639-8699 Fax 215-639-0977



SEE SHEET 2 FOR EXPLODED VIEW AND BOM.

QUANTITY:	1 per assy.
MATERIAL:	See BOM
FINISH:	Black Anodize
TREATMENT:	N/A

TOLERANCE/FINISH UNLESS OTHERWISE SPECIFIED				
INCHES [MM]				
X	.X	.XX	.XXX	125√RMS [RA3.2um]
[±.76]	±.030 [±.25]	±.010 [±.13]	±.005	ANGLES ±1°

THIS DOCUMENT IS THE PROPERTY OF METAPHASE TECHNOLOGIES, INC. WHOM MAY LOAN IT, SUBJECT TO RETURN UPON DEMAND. IT INCLUDES CONFIDENTIAL & PROPRIETARY INFORMATION WHICH MAY NOT BE DISCLOSED TO ANY THIRD PARTY, AND/ OR USED FOR ANY PURPOSE CONTRARY TO IT'S INTENDED USE, WITHOUT THE EXPRESSED PRIOR WRITTEN CONSENT OF METAPHASE TECHNOLOGIES, INC.

TITLE
Assy.; Diffused Tube Light- 38.0"

USED ON
Per Customer

SIZE B	DRAWING NUMBER DT506-1	REV C
SCALE 1:4		SHEET 1 OF 1

Approval Signature _____

/ /
Date