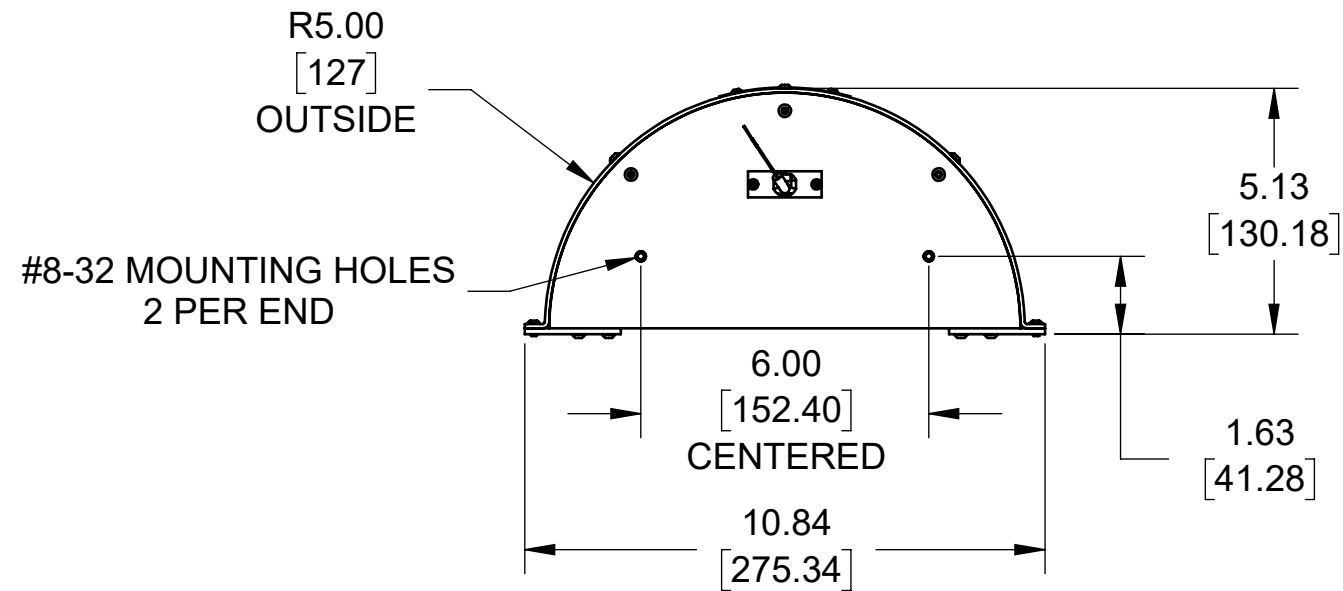
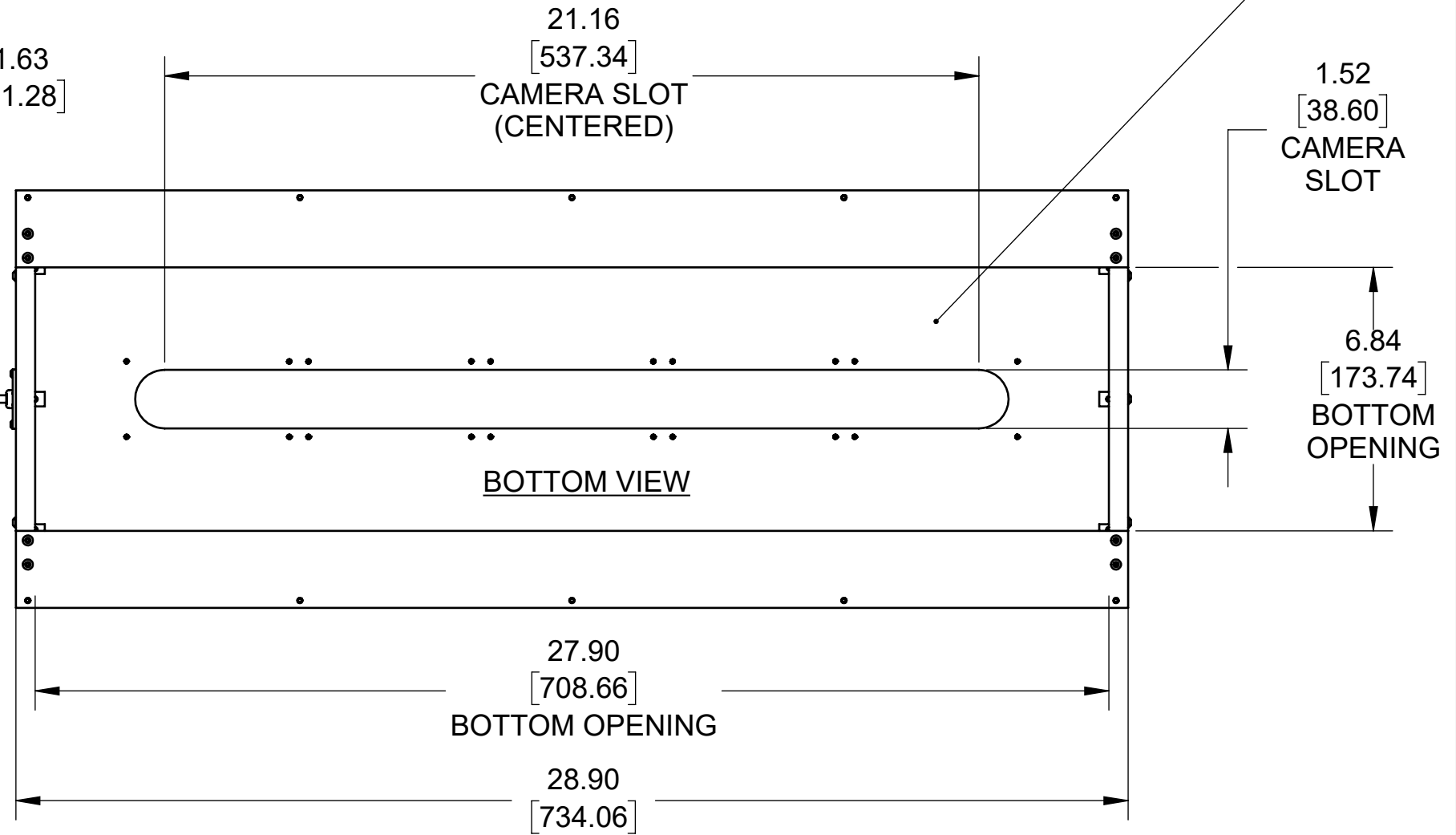


REVISIONS			
REV.	DESCRIPTION	DATE	APPROVED
A	INITIAL RELEASE	11/08/2015	DTG
B	REDRAWN	2/22/16	
C	REMOVED 4X #8-32 CLINCH NUT	1/8/2018	



INTERIOR IS PAINTED SPECIAL WHITE FOR SUPERIOR REFLECTION.



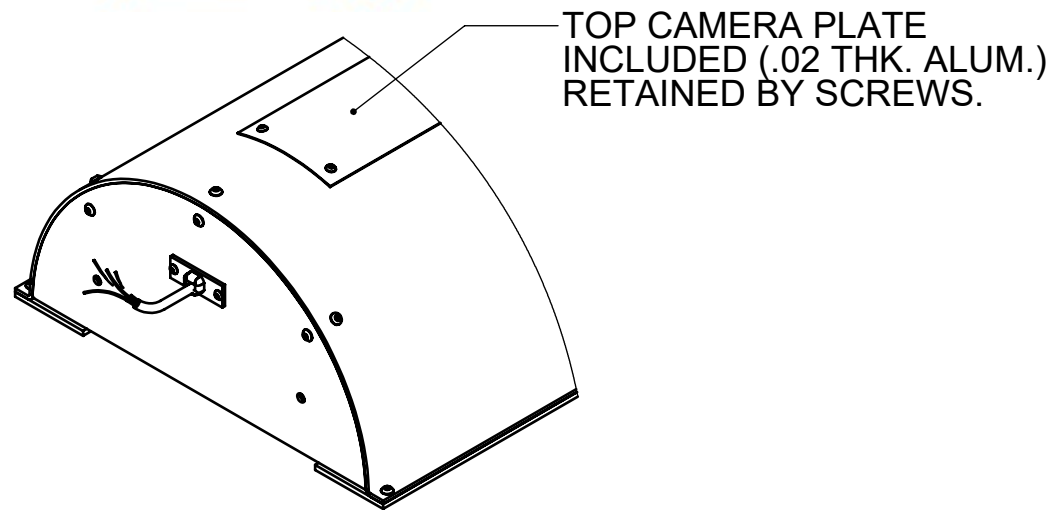
POWER CABLE

945 East 11th Avenue Tampa, FL 33605

Phone: (813) 984-0125

Contact: Sales@pyramidimaging.com

<https://pyramidimaging.com>



Metaphase Technologies, Inc. 211 Sinclair Road, Suite 100, Bristol, PA. 19007 215-639-8699 Fax 215-639-0977



SEE SHEET 2 FOR EXPLODED VIEW AND BOM.

QUANTITY: 1 per assy.

TOLERANCE/FINISH UNLESS OTHERWISE SPECIFIED

THIS DOCUMENT IS THE PROPERTY OF METAPHASE TECHNOLOGIES, INC. WHOM MAY LOAN IT, SUBJECT TO RETURN UPON DEMAND. IT INCLUDES CONFIDENTIAL & PROPRIETARY INFORMATION WHICH MAY NOT BE DISCLOSED TO ANY THIRD PARTY, AND/ OR USED FOR ANY PURPOSE CONTRARY TO IT'S INTENDED USE, WITHOUT THE EXPRESSED PRIOR WRITTEN CONSENT OF METAPHASE TECHNOLOGIES, INC.

TITLE
Assy.; Diffused Tube Light- 27" [686]

MATERIAL: See BOM

INCHES [MM]				125√RMS [RA3.2um]
X	.X	.XX	.XXX	ANGLES ±1°
[±.76]	±.030 [±.25]	±.010 [±.13]	±.005	

USED ON
Per Customer

FINISH: Black Anodize

TREATMENT: N/A

SIZE B DRAWING NUMBER DT406-1 REV C
SCALE 1:4 SHEET 1 OF 1

Approval Signature

/ /
Date