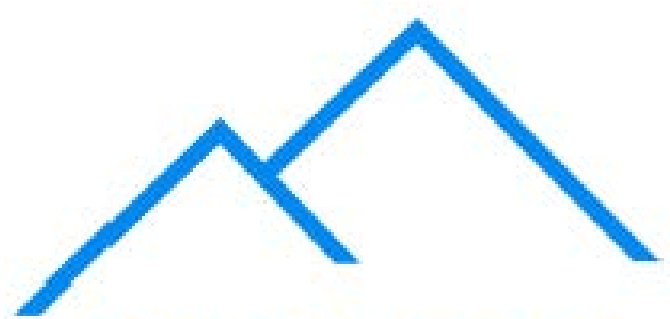
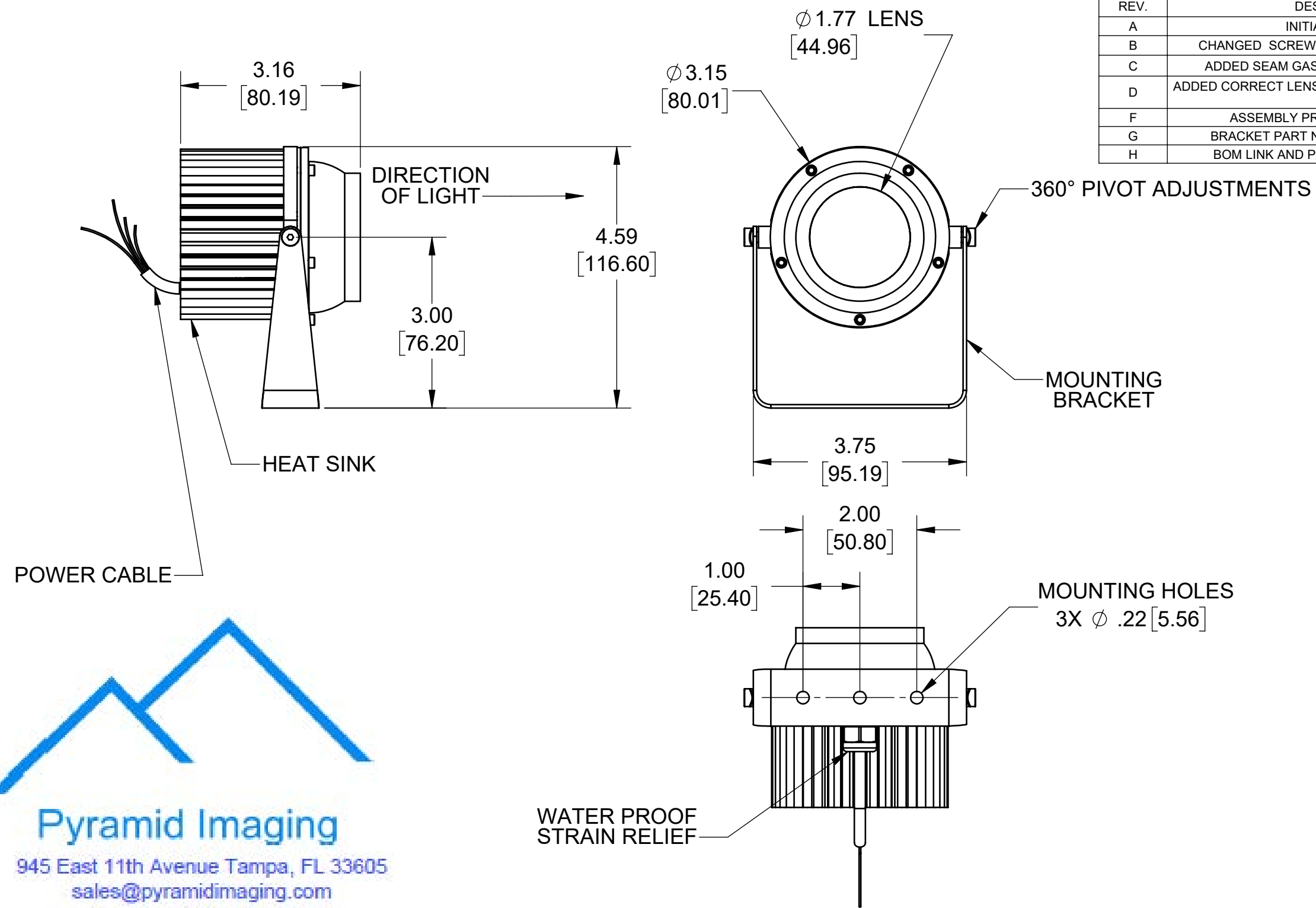


REVISIONS			
REV.	DESCRIPTION	DATE	APPROVED
A	INITIAL RELEASE	5/25/2013	
B	CHANGED SCREW SPECS.- SHEET 2 ITEM 15	7/15/2013	
C	ADDED SEAM GASKET AND LENS SEALANT	01/03/2017	
D	ADDED CORRECT LENS SEALANT AND DELETED OLD ORING	2/1/2017	
F	ASSEMBLY PROCEDURE UPDATED	6/26/2017	
G	BRACKET PART NUMBER CLARIFICATION	12/27/2017	
H	BOM LINK AND PART NUMBER UPDATES	2/23/2018	



**Pyramid Imaging**

945 East 11th Avenue Tampa, FL 33605  
 sales@pyramidimaging.com  
 www.pyramidimaging.com  
 813-786-3785

SEE SHEET 2 FOR EXPLODED VIEW AND BOM

Metaphase Technologies, Inc. 211 Sinclair Road, Suite 100, Bristol, PA. 19007 215-639-8699 Fax 215-639-0977			
<b>QUANTITY:</b> Per order	TOLERANCE/FINISH UNLESS OTHERWISE SPECIFIED INCHES [MM] X .X .XX .XXX 125√RMS [RA3.2um] [±.76] ±.030 [±.25] ±.010 [±.13] ±.005 ANGLES ±1°	TITLE Top Assy - FRSL Light	
<b>MATERIAL:</b> Per BOM		USED ON Per customer	
<b>FINISH:</b> Black Anodized		SIZE B	DRAWING NUMBER FRSL-205-1
<b>TREATMENT:</b> N/A		SCALE 1:2	REV H
Approval Signature	Date	SHEET 1 OF 1	

THIS DOCUMENT IS THE PROPERTY OF METAPHASE TECHNOLOGIES, INC. WHOM MAY LOAN IT, SUBJECT TO RETURN UPON DEMAND. IT INCLUDES CONFIDENTIAL & PROPRIETARY INFORMATION WHICH MAY NOT BE DISCLOSED TO ANY THIRD PARTY, AND/ OR USED FOR ANY PURPOSE CONTRARY TO IT'S INTENDED USE, WITHOUT THE EXPRESSED PRIOR WRITTEN CONSENT OF METAPHASE TECHNOLOGIES, INC.