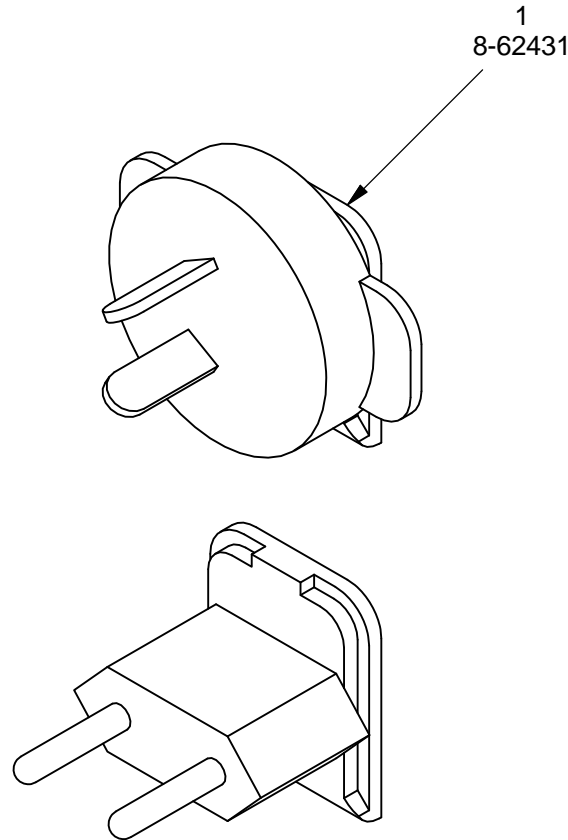
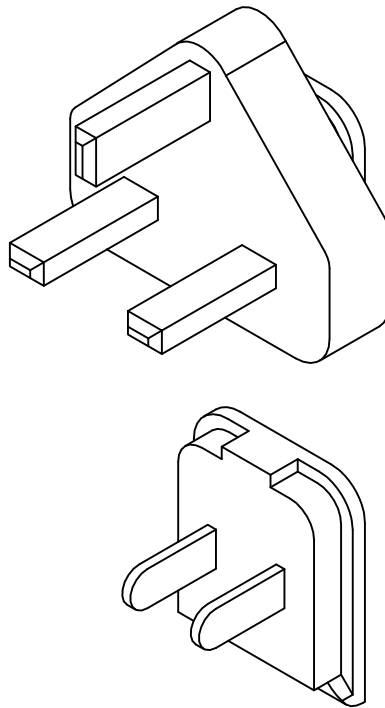
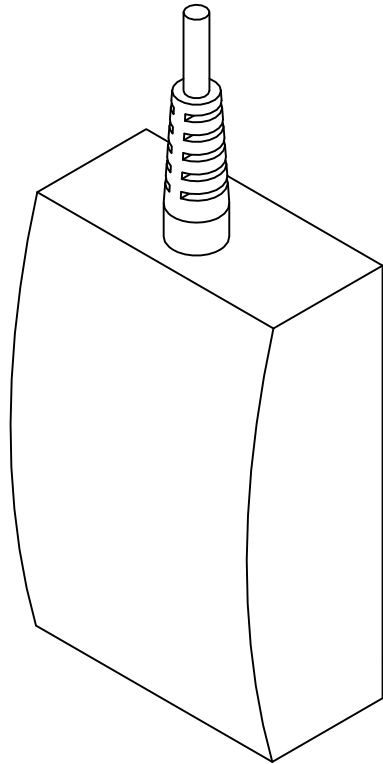


REVISION HISTORY				
REV	DESCRIPTION	DATE	DR BY	CH BY
A	RELEASE	05/02/2011	CB	REP




Pyramid Imaging

945 East 11th Avenue Tampa, FL 33605
 sales@pyramidimaging.com
 www.pyramidimaging.com
 813-786-3785

1
8-40038

1
8-62431

UNLESS OTHERWISE SPECIFIED DIMENSIONS ARE IN INCHES AND INCLUDE CHEMICALLY APPLIED OR PLATED FINISHES		PROPRIETARY AND CONFIDENTIAL THE INFORMATION CONTAINED IN THIS DRAWING IS THE SOLE PROPERTY OF NAVITAR. ANY REPRODUCTION IN PART OR AS A WHOLE WITHOUT THE WRITTEN PERMISSION OF NAVITAR IS PROHIBITED.	
SCALE:	1:1		
WEIGHT:	0.80 lbmass		
DR BY:	C Boggio		
CH BY:	R. PODLENA		
PROJECT #:	E2671		
DATE DR:	2/07/2011	POWER SUPPLY, 24vDC, 100-240vAC	
DO NOT SCALE DRAWING		SIZE A	REV A
		SHEET 1 OF 1	

Parts List

UCFS	QTY	PART #	DESCRIPTION
	1	8-40038	UNIVERSAL POWER SUPPLY, 24vDC
	1	8-62431	PLUG KIT

