

**overview**

- Backup & Restore function
- Download VeriSens® Application Suite: [www.baumer.com/vs-sw](http://www.baumer.com/vs-sw)



**technical data**

**general data**

resolution	752 × 480 px
sensor type	1/3" CMOS, monochrome
illumination	integrated, LED infrared (860 nm)
LED class	free group (risk free, EN 62471:2008)
high-resolution mode	max. 50 inspections per second
object distance min.	50 mm
number of jobs (products)	≤ 255
features per job	32
signal processing	Baumer FEX® 3.5
defect image memory	32
lens	10 mm

**electrical data**

voltage supply range +Vs	18 ... 30 V DC
power consumption	typical 5 W ( $I_{max} = 1 \text{ A}$ at 24 V)
digital inputs	5 inputs (8 ... 30 V) trigger job selection external teach-in encoders (CH-A, CH-B) 500 kHz
digital outputs	5 outputs (PNP) Pass / Fail Flash Sync Alarm Camera Ready Output Enable
initial setup	Ethernet (10BASE-T / 100BASE-TX)
visualization	web interface

**mechanical data**

width	53 mm
height	99,5 mm
depth	38 mm
weight	≤ 250 g
material	housing: aluminum cover glass: PMMA, integrated daylight filter (780 nm)

**environmental conditions**

operating temperature	+5 ... +50 °C
storage temperature	-20 ... +70 °C
case temperature	max. +50 °C
humidity	0 ... 90 % (non-condensing)
protection class	IP 67
vibration load	IEC 60068-2-6 IEC 60068-2-64
mechanical shock resistance	EN 60068-2-27

**feature checks**

part location	part location on contours
geometry	distance circle
feature comparison	count contour points contour comparison brightness

**conformity**

conformity	CE RoHS
------------	------------

# VS CS100M03I10EP

CS100

Article number: 11089900

## technical data

### non-volatile memory

flash memory size 256 Mbit Flash S29GL256P10FFI010

## Electrical connection

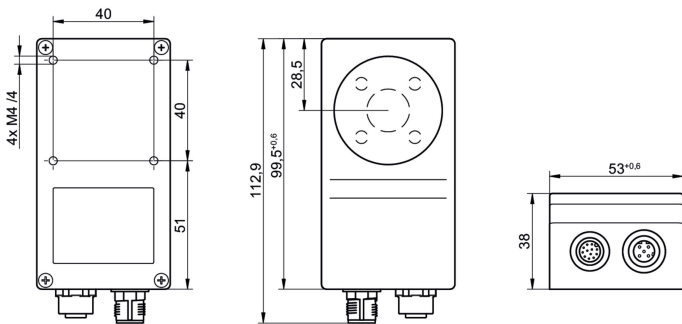


1: PWR (+18-30 V DC)	7: OUT3
2: Ground	8: IN3
3: IN1 (Trigger)	9: OUT4
4: OUT1	10: IN4
5: IN2	11: IN5
6: OUT2	12: OUT5



1: TD+	3: TD-
2: RD+	4: RD-

## dimension drawing



Pyramid Imaging Inc  
945 East 11th Avenue  
Tampa, FL 33605  
<https://pyramidimaging.com>  
Sales@pyramidimaging.com  
(813) 984-0125