

overview

- Backup & Restore function
- Download VeriSens® Application Suite: www.baumer.com/vs-sw



technical data

general data

resolution	752 × 480 px
sensor type	1/3" CMOS, monochrome
illumination	integrated, LED infrared (860 nm)
LED class	free group (risk free, EN 62471:2008)
high-resolution mode	max. 50 inspections per second
object distance min.	70 mm
object distance max.	300 mm
number of jobs (products)	≤ 255
features per job	32
signal processing	Baumer FEX® 3.5
defect image memory	32
lens	16 mm

electrical data

voltage supply range +Vs	18 ... 30 V DC
power consumption	typical 5 W ($I_{max} = 1 \text{ A}$ at 24 V)
digital inputs	5 inputs (8 ... 30 V) trigger job selection external teach-in encoders (CH-A, CH-B) 500 kHz
digital outputs	5 outputs (PNP) Pass / Fail Flash Sync Alarm Camera Ready Output Enable
initial setup	Ethernet (10BASE-T / 100BASE-TX)
visualization	web interface

mechanical data

width	53 mm
height	99,5 mm
depth	38 mm
weight	≤ 250 g
material	housing: aluminum cover glass: PMMA, integrated daylight filter (780 nm)

environmental conditions

operating temperature	+5 ... +50 °C
storage temperature	-20 ... +70 °C
case temperature	max. +50 °C
humidity	0 ... 90 % (non-condensing)
protection class	IP 67
vibration load	IEC 60068-2-6 IEC 60068-2-64
mechanical shock resistance	EN 60068-2-27

feature checks

part location	part location on contours
geometry	distance circle
feature comparison	count contour points contour comparison brightness

conformity

conformity	CE RoHS
------------	------------

VS CS100M03I16EP

CS100

Article number: 11093026

technical data

non-volatile memory

flash memory size 256 Mbit Flash S29GL256P10FFI010

Electrical connection

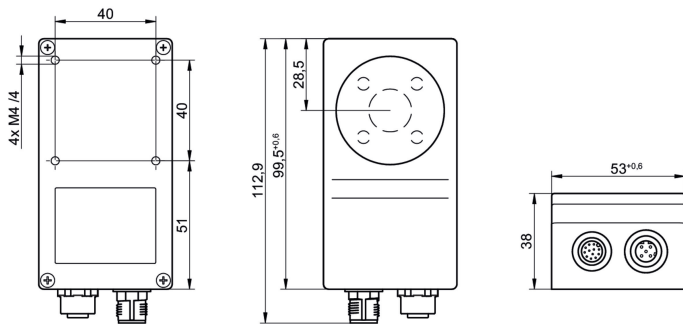


1:	PWR (+18-30 V DC)	7:	OUT3
2:	Ground	8:	IN3
3:	IN1 (Trigger)	9:	OUT4
4:	OUT1	10:	IN4
5:	IN2	11:	IN5
6:	OUT2	12:	OUT5



1:	TD+	3:	TD-
2:	RD+	4:	RD-

dimension drawing



Pyramid Imaging Inc
945 East 11th Avenue
Tampa, FL 33605
<https://pyramidimaging.com>
Sales@pyramidimaging.com
(813) 984-0125