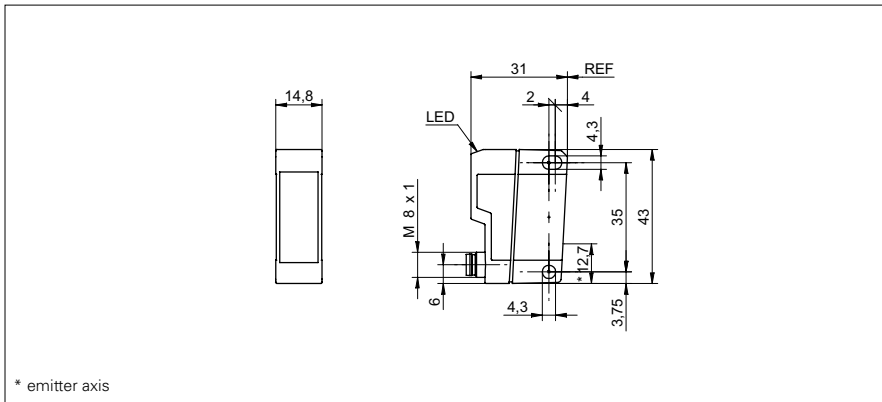


**Distance sensors**

**FADK 14U4470/S35A/IO**

**dimension drawing**



\* emitter axis

**general data**

measuring distance Sd	50 ... 400 mm
adjustment	IO-Link
Teach-in range min.	> 20 mm
power on indication	LED green
soiled lens indicator	LED red
resolution	0,1 ... 1 mm
linearity error	± 1,5 ... ± 4 mm
light source	pulsed point source LED
wave length	660 nm
beam type	point
beam diameter	8 mm
temperature drift	< 0,1 % Sde/K

**electrical data**

response time / release time	< 3 ms
voltage supply range +Vs	14 ... 26 VDC
current consumption max. (no load)	80 mA
output circuit	analog
output signal	0 ... 10 VDC
load resistance (analog U)	> 100 kOhm
output current	< 100 mA
alarm output	push-pull
short circuit protection	yes
reverse polarity protection	yes, Vs to GND

**mechanical data**

width / diameter	14,8 mm
height / length	43 mm
depth	31 mm
type	rectangular
housing material	plastic (ASA, MABS)
front (optics)	PMMA
connection types	connector M8 4 pin

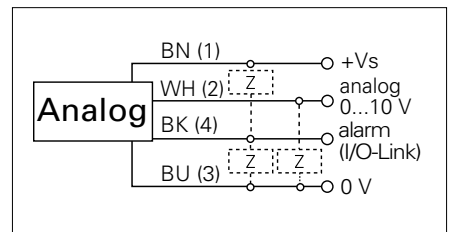
**ambient conditions**

operating temperature	0 ... +50 °C
protection class	IP 67

**photo**



**connection diagram**



**IO-Link**



- IO-Link: Measuring range limit, average determination, service status, alarm output, switching window



Pyramid Imaging Inc  
 945 East 11th Avenue  
 Tampa, FL 33605  
<https://pyramidimaging.com>  
 Sales@pyramidimaging.com  
 (813) 984-0125