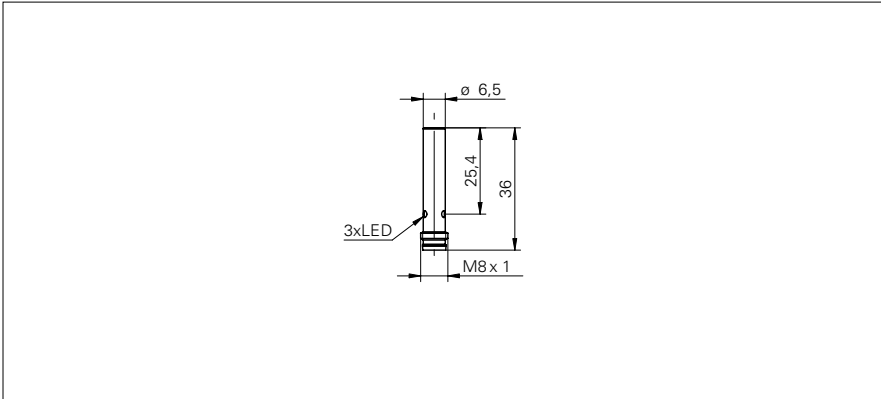


Inductive proximity switch

IFRM 06N17A3/S35L

dimension drawing



general data

| | |
|--------------------------------|---------------------|
| mounting type | flush |
| nominal sensing distance S_n | 2 mm |
| hysteresis | 3 ... 20 % of S_r |
| output indicator | 3 port LED red |

electrical data

| | |
|------------------------------------|------------------------|
| switching frequency | < 5 kHz |
| voltage supply range +Vs | 10 ... 30 VDC |
| current consumption max. (no load) | 12 mA |
| output circuit | NPN make function (NO) |
| voltage drop V_d | < 2 VDC |
| output current | < 200 mA |
| short circuit protection | yes |
| reverse polarity protection | yes |

mechanical data

| | |
|-------------------------|--------------------|
| type | cylindrical smooth |
| material (sensing face) | PBT |
| housing material | stainless steel |
| dimension | 6,5 mm |
| housing length | 36 mm |
| connection types | connector M8 |

ambient conditions

| | |
|-----------------------|----------------|
| operating temperature | -25 ... +75 °C |
| protection class | IP 67 |

photo



connection diagram



- robust steel housings
- high switching frequency



Pyramid Imaging Inc
 945 East 11th Avenue
 Tampa, FL 33605
<https://pyramidimaging.com>
 Sales@pyramidimaging.com
 (813) 984-0125