

C-Mount Mega Pixel lens

Xenon 0.95/25

This 1" megapixel lens has an extremely high relative aperture of 0.95, making it perfectly suitable for low light applications. The lens is corrected and coated for the visible light in the range of 400 - 700 nm. Even under production and / or extreme conditions, the robust mechanical design with lockable focus and iris setting mechanism guarantees reliable continuous use in which the set optical parameters remain in place.



Xenon 0.95/25

Key Features

- Very high relative aperture of 0.95
- Complex optical design
- High optical imaging performance
- Compact full metal mount
- Vibration insensitivity for stable imaging performance
- Focus and iris setting lockable

Applications

- Machine Vision and other imaging applications
- 3D measurement
- Traffic
- Medical
- Robot vision
- Food processing

Technical Specifications

F-number	0.95
Focal length	25.6 mm
Image circle	16 mm
Transmission	400 - 700 nm
Interface	C-Mount
Weight	240 gr.
Option	Optical filter

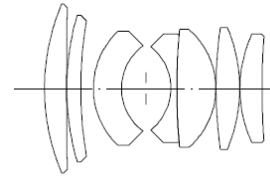
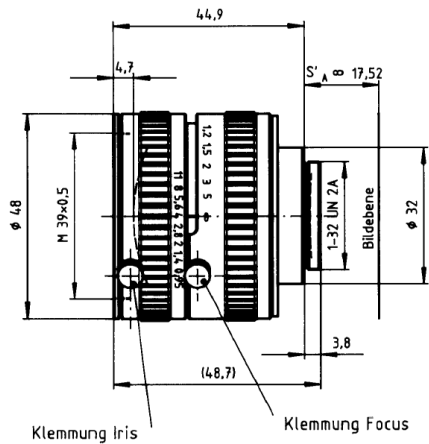
Contact

Jos. Schneider Optische Werke GmbH
Ringstraße 132
55543 Bad Kreuznach
Germany
Phone +49 671 601-387
Fax +49 671 601-286
www.schneiderkreuznach.com/industrialoptics
industrie@schneiderkreuznach.com

Schneider Asia Pacific Ltd.
20/F Central Tower, 28 Queen's Road
Central, Hong Kong
China
Phone +852 8302 0301
Fax +852 8302 4722
www.schneider-asiapacific.com
info@schneider-asiapacific.com

Schneider Optics Inc.
285 Oser Ave.
Hauppauge, NY 11788
USA
Phone +1 631 761-5000
Fax +1 631 761-5090
www.schneideroptics.com/industrial
industrial@schneideroptics.com

Xenon 0.95/25



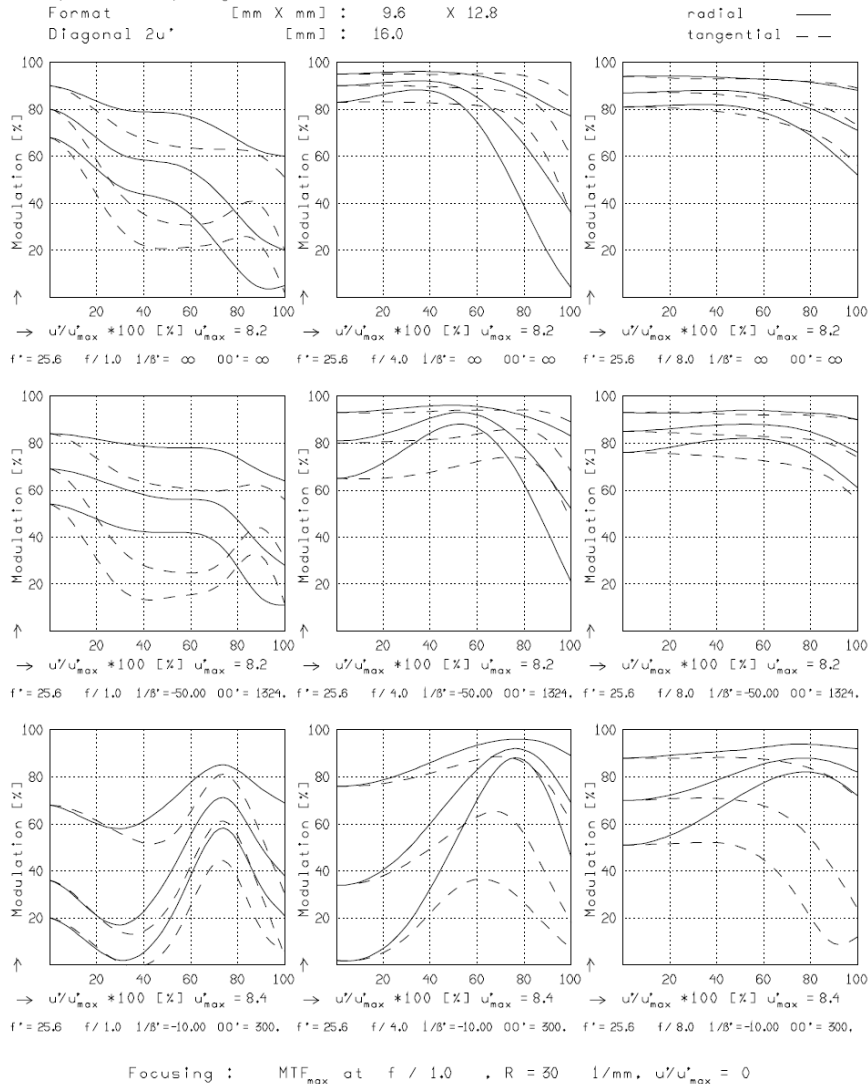
XENON 0.95/25MM

f'	= 25.6 mm	β_p	= 4.086
s_F	= 16.9 mm	s_{EP}	= 23.1 mm
s_F'	= 16.2 mm	s_{AP}	= -88.5 mm
HH'	= -10.5 mm	Σd	= 41.4 mm

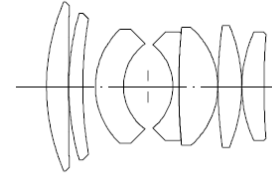
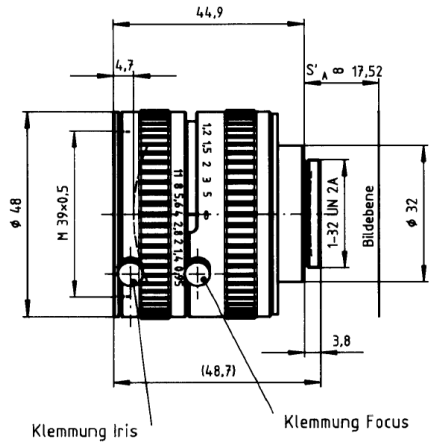
XENON 0.95/25MM

MODULATION with reference to the relative image height

Wavelength λ	[nm]	555	655	605	505	455	405
Spectral weighting	[%]	19.6	23.7	22.2	15.7	12.1	6.7
Spotial frequency R	[1/mm]	10	20	30			
Format	[mm X mm]	9.6	X 12.8				
Diagonal $2u'$	[mm]	16.0					

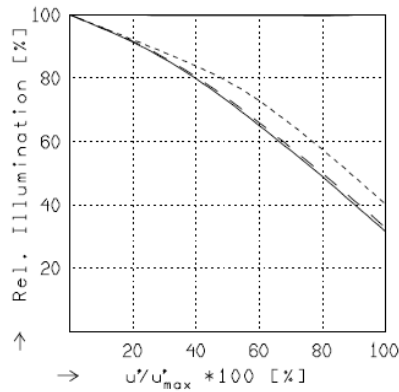


Xenon 0.95/25



XENON 0.95/25MM

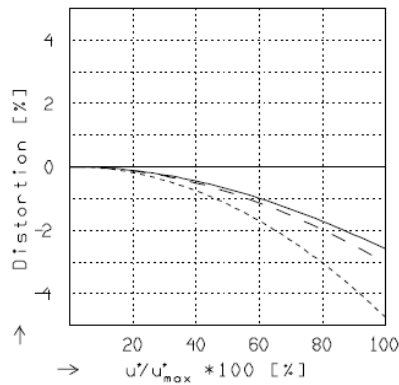
$f' = 25.6 \text{ mm}$	$\beta_p' = 4.086$
$s_F = 16.9 \text{ mm}$	$s_{EP} = 23.1 \text{ mm}$
$s_{F'} = 16.2 \text{ mm}$	$s_{AP} = -88.5 \text{ mm}$
$HH' = -10.5 \text{ mm}$	$\Sigma d = 41.4 \text{ mm}$



RELATIVE ILLUMINATION

The relative illumination is shown for the given focal distances or magnifications.

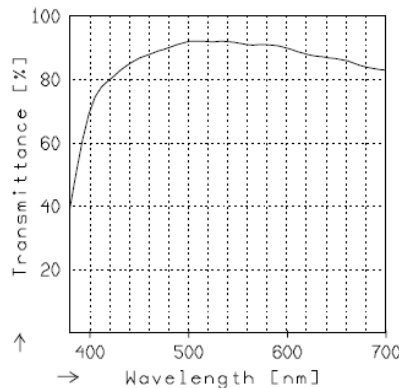
	$f / 1.0$	$f / 4.0$	$f / 8.0$
—	$\beta' = 0.0000$	$u_{max}' = 8.0$	$00' = \infty$
- -	$\beta' = -0.0200$	$u_{max}' = 8.0$	$00' = 1323.$
----	$\beta' = -0.1000$	$u_{max}' = 8.0$	$00' = 300.$



DISTORTION

Distortion is shown for the given focal distances or magnifications. Positive values indicate pincushion distortion and negative values barrel distortion.

—	$\beta' = 0.0000$	$u_{max}' = 8.0$	$00' = \infty$
- -	$\beta' = -0.0200$	$u_{max}' = 8.0$	$00' = 1323.$
----	$\beta' = -0.1000$	$u_{max}' = 8.0$	$00' = 300.$



TRANSMITTANCE

Relative spectral transmittance is shown with reference to wavelength.



945 East 11th Avenue Tampa, FL 33605

Phone: (813) 984-0125

Contact: Sales@pyramidimaging.com

<https://pyramidimaging.com>