

Xenon-Topaz 2.0/25

The Xenon-Topaz 2.0/25 is part of the robust c-mount lens series for 1.1" sensor up to 12 megapixel resolution.

Optimized for 10 m to 30 m working distance and equipped with 400 nm -1000 nm broadband AR-coating this lens is the ideal choice to be used in measurement systems in harsh environmental, as traffic surveillance or robot vision.

Version with motorized p-iris is available on request. Lenses with 6.5 mm, 30 mm, 38 mm and 50 mm focal length complete the Xenon-Topaz series.



Xenon-Topaz 2.0/25

Key features

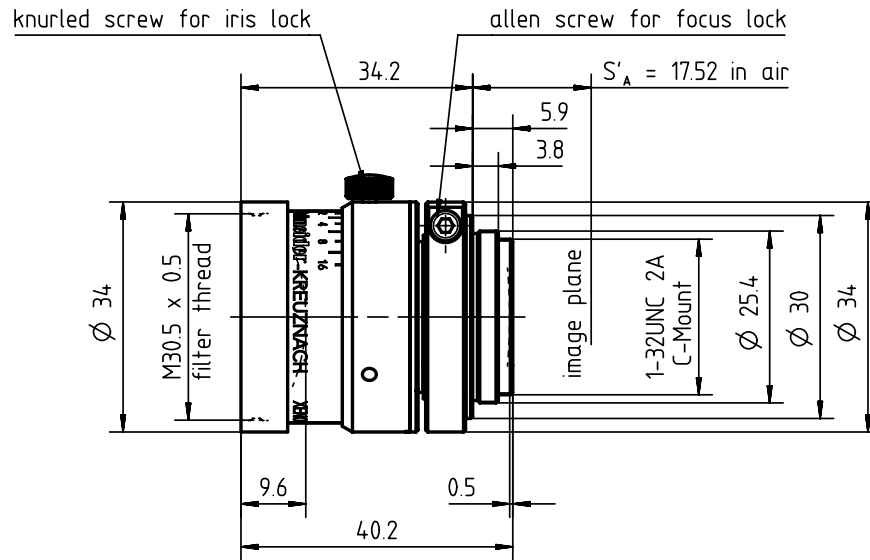
- High-resolution optics for up to 12 megapixel 1.1" sensors
- Optimized for 10 m to 30 m working distance
- Broadband coating (400 - 1000 nm)
- Vibration insensitivity for stable imaging performance
- Version with motorized p-iris available

Applications

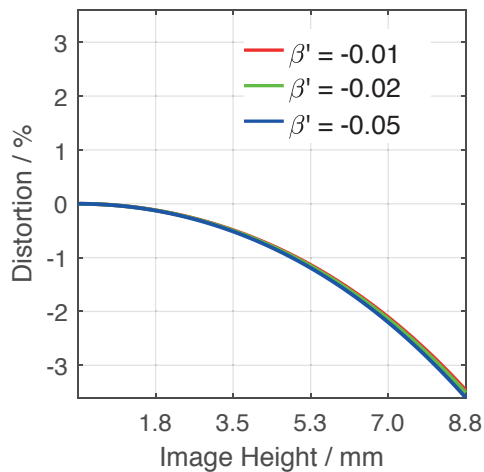
- Traffic
- High-end Surveillance
- Robot Vision
- 3D measurement

Name	Xenon-Topaz 2.0/25
Type	-0901
Focal Length [mm]	25
Magnification	-0.1
Image circle [mm]	17.6
Resolution [μm]	3.65
F/# range	2 ... 16
NA	0.25
Interface	C-Mount
Working distance [mm]	242
AoV [$^\circ$]	39
Focus control	manual
Transmission [nm]	400 - 1000
Filter thread [mm]	M30.5 x 0.5
Dimensions L x D [mm]	40.2 x 34.0

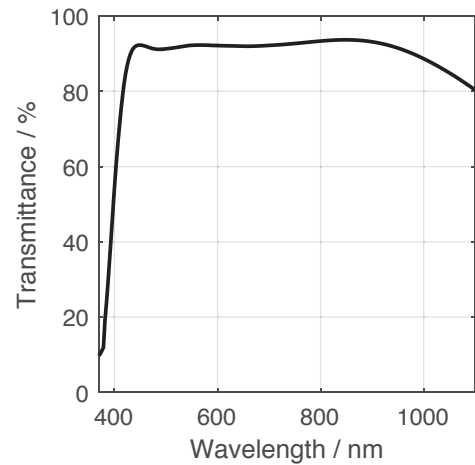
Name	Xenon-Topaz 2.0/25
Weight [g]	90
Storage temperature [$^\circ\text{C}$]	-25 ... +70
f'_{eff} [mm]	24.22
S_F [mm]	-4.26
S'_F [mm]	12.05
HH' [mm]	-1.99
β'_P	1.272
S_{EP} [mm]	24.78
S'_{AP} [mm]	-18.92
Σd [mm]	30.14
ID	1081347



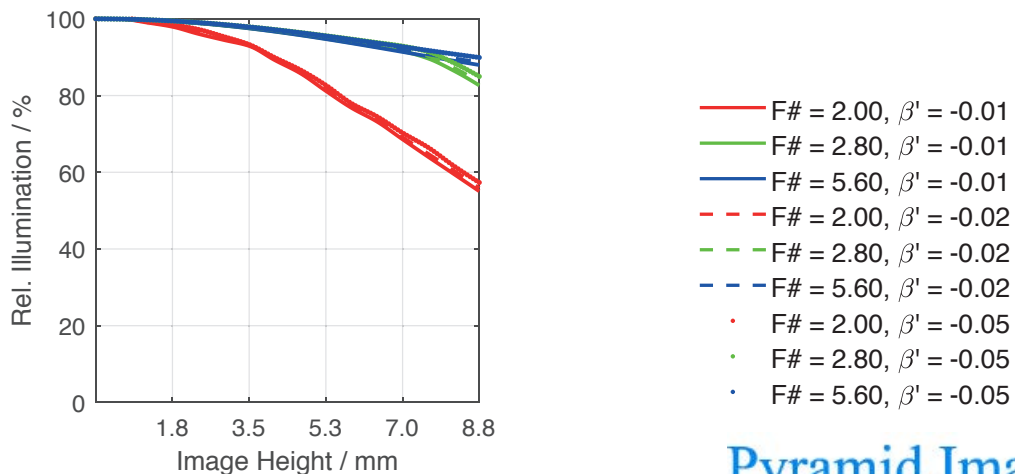
Distortion vs. Image Height



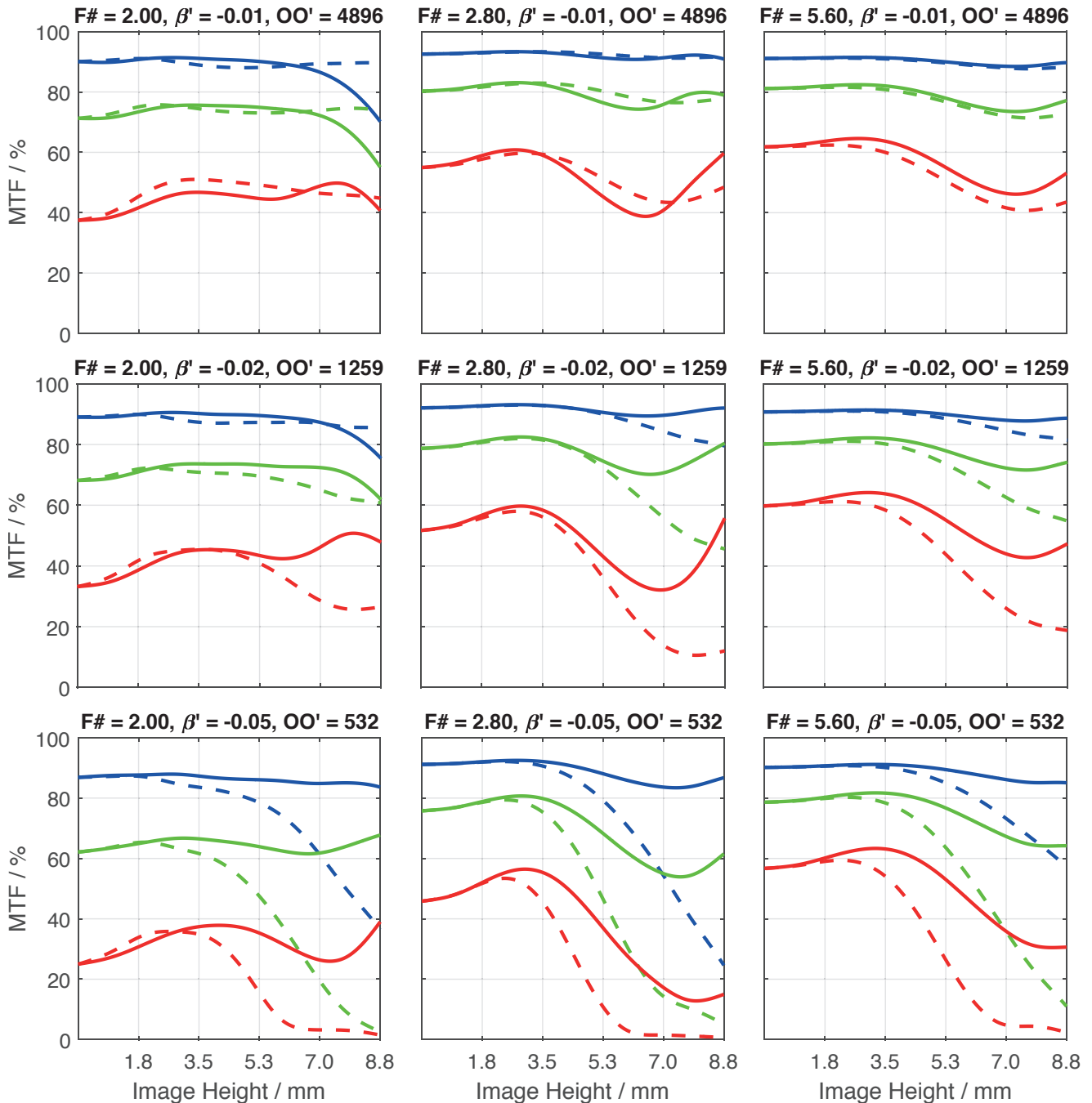
Transmittance vs. Wavelength



Relative Illumination vs. Image Height

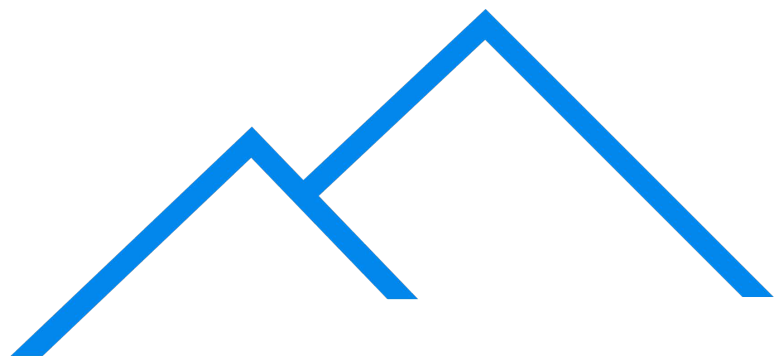


Spectrum Name	VIS					
Wavelengths [nm]	425	475	525	575	625	675
Weights	8	16	23	22	19	13



- 20.0 lp/mm, tangential
- 40.0 lp/mm, tangential
- 80.0 lp/mm, tangential
- 20.0 lp/mm, radial
- 40.0 lp/mm, radial
- 80.0 lp/mm, radial

Accessories	Mount	Length	ID
Adapter	CS-Mount Adapter	5 mm	25081
	C-Mount / M42 x 1 Adapter	-	1075817
Ext. Tube	C-Mount	5 mm	39316
	C-Mount	8 mm	39315
	C-Mount	10 mm	39312



Pyramid Imaging

Get more information

Contact our local offices



Headquarter Germany

Jos. Schneider Optische Werke GmbH
Ringstraße 132
55543 Bad Kreuznach
☎ +49 671 601 205
✉ cs@schneiderkreuznach.com
www.schneiderkreuznach.com

Offices Worldwide

China

☎ +86 755 8832 1170
✉ shawn.liu@schneider-asiapacific.com

North America

☎ +1 800 645 7239 (East Coast)
☎ +1 800 228 1254 (West Coast)
✉ info@schneideroptics.com

Singapore

☎ +65 9488 0062
✉ thongv@schneiderkreuznach.com



945 East 11th Avenue Tampa, FL 33605

Phone: (813) 984-0125

Contact: Sales@pyramidimaging.com

<https://pyramidimaging.com>