



Pyramid Imaging

945 East 11th Avenue Tampa, FL 33605
sales@pyramidimaging.com
www.pyramidimaging.com
813-786-3785



Lenses for high-resolution line scan

- Designed for high-resolution line scan applications up to 12k
- Large image circle up to 90 mm for long linear array sizes
- High optical resolution for small pixel sizes down to 5 μm
- Low distortion for excellent imaging accuracy
- Optimized for magnification ratios from 0.2X to 2.0X

Lenses for line scan applications

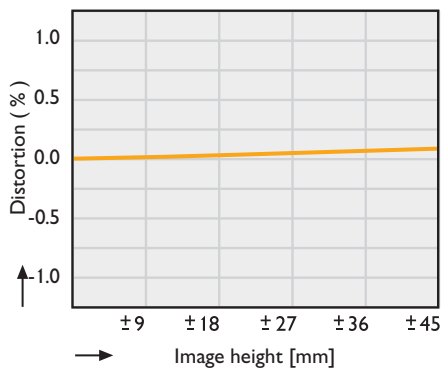


The line scan image capture method is useful and efficient for many web and other surface inspection applications. When choosing an appropriate camera, correct lens selection is vital to achieve the desired system performance. The size of the linear array sensor in the camera determines the minimum required image circle of the lens and the size of the sensor's pixels determines a particular optical imaging resolution. The desired object resolution defines the necessary magnification ratio for the optical system. These application specific parameters allow you to choose the most suitable lens to meet all requirements with respect to image size and quality.

Today's high-performance lenses must follow the technology trend toward smaller pixel sizes and increased sensor resolution. This typically results in larger array sizes and more stringent requirements concerning MTF (Modulation Transfer Function).

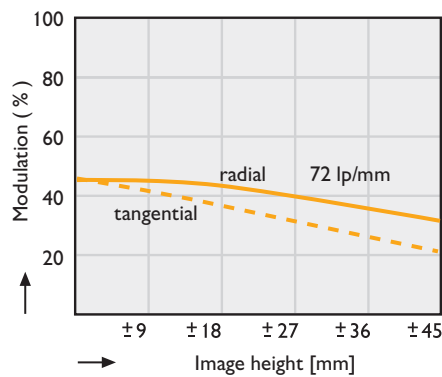
Makro-Symmar lenses are designed for industrial machine vision applications and satisfy even the most stringent requirements of next generation 12k line scan applications. Four different versions of Makro-Symmar lenses and one Apo-Componon lens cover a magnification ratio range from 0.2X to 2.0X by using the lens either in standard or retro position. An extension tube together with a special helical mount is used to adjust the focus precisely. Focus as well as iris adjustment are lockable to ensure system stability even in the presence of vibration. A tilt alignment tool can be used to adjust the sensor's orientation with respect to the optical axis of the lens. The V-mount interface allows alignment of the lens for the best average azimuth position with respect to the linear array.

Distortion
(SR 5.6/120)



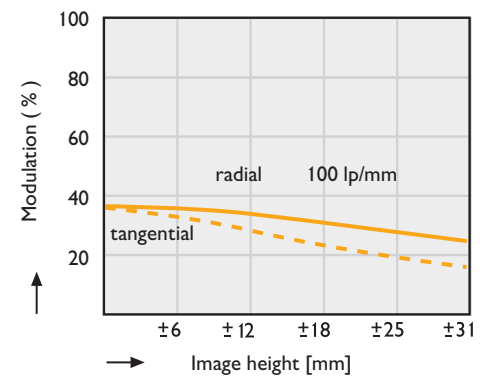
Distortion over the image height.

Modulation Transfer Function
(SR 5.6/120)



The MTF shows the contrast over the image height for a test pattern with 72 lp/mm.

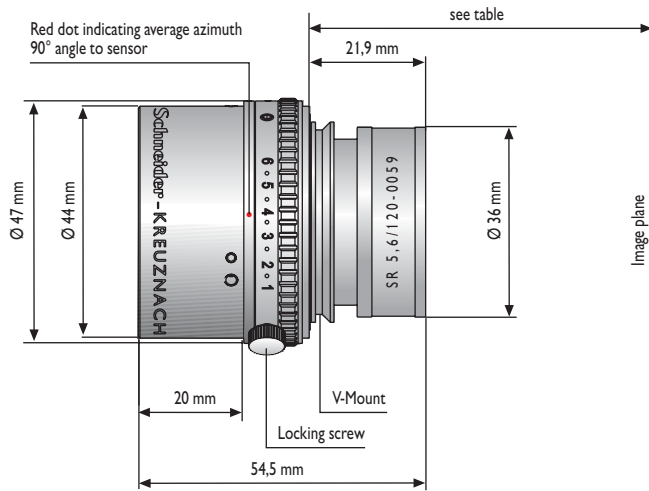
Modulation Transfer Function
(SR 5.6/120)



The MTF shows the contrast over the image height for a test pattern with 100 lp/mm.

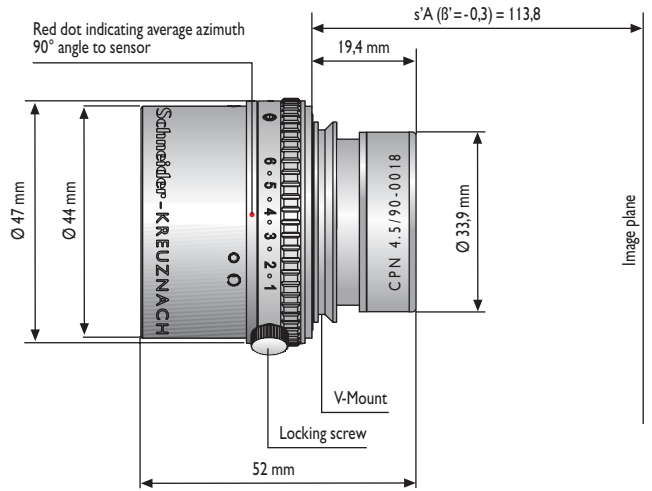
Lens data

Makro-Symmar 5.6/120



Apo-Componon 4.5/90

Pyramid Imaging

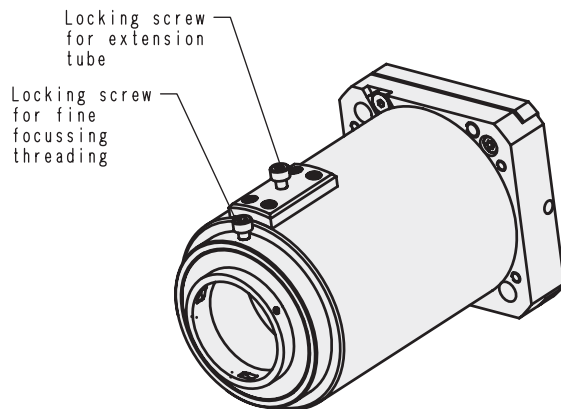
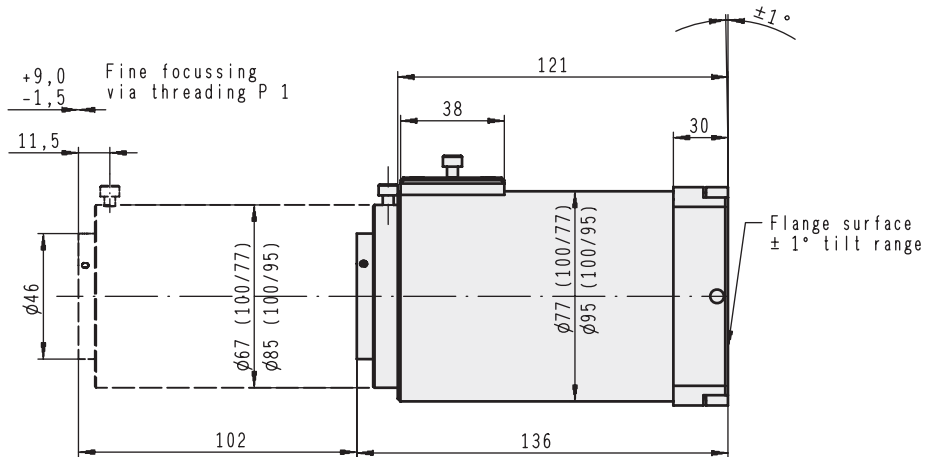
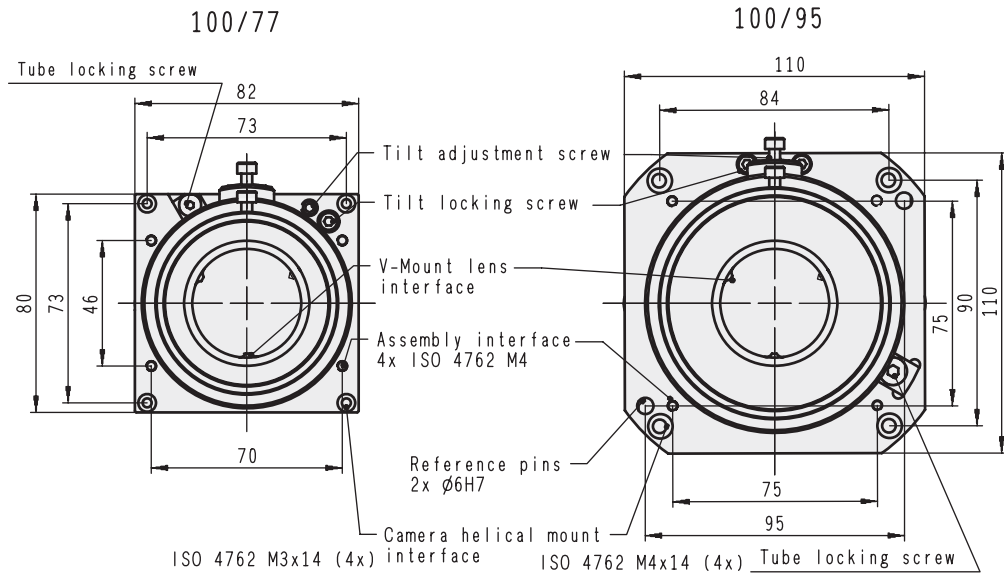


Lens data

	Focal length	Max aperture	Sensor pixel size nominal	Image circle	Nominal magnification	Magnification range	Distortion typical	Code No.
CPN 4.5/90-0018	90 mm	F 4.5	9 μ m / 5 μ m	90 mm / 62 mm	0.3 X	0.20 X - 0.40 X	0.2%	1004531
SR 5.6/120-0058	120 mm	F 5.9	7 μ m / 5 μ m	90 mm / 62 mm	1 X	0.88 X - 1.13 X	0.1%	1002647
SR 5.6/120-0059	120 mm	F 5.9	7 μ m / 5 μ m	90 mm / 62 mm	0.75 X	0.63 X - 0.88 X	0.1%	1002648
SR 5.6/120-0060	120 mm	F 5.9	7 μ m / 5 μ m	90 mm / 62 mm	0.5 X	0.38 X - 0.63 X	0.1%	1002650
SR 5.6/120-0061	120 mm	F 5.9	7 μ m / 5 μ m	90 mm / 62 mm	0.33 X	0.26 X - 0.38 X	0.1%	1004611

Lens	Mount type	Working distance (at nom. mag.)	Object-to-image distance	Flange-to-image distance	Filter thread	Weight
CPN 4.5/90-0018	V-mount	362 mm	508 mm	114 mm	M 40.5 x 0.5	140 g
SR 5.6/120-0058	V-mount	212 mm	481 mm	236 mm	M 40.5 x 0.5	170 g
SR 5.6/120-0059	V-mount	252 mm	490 mm	205 mm	M 40.5 x 0.5	170 g
SR 5.6/120-0060	V-mount	333 mm	539 mm	174 mm	M 40.5 x 0.5	170 g
SR 5.6/120-0061	V-mount	453 mm	638 mm	153 mm	M 40.5 x 0.5	170 g

Helical mount



Dimensions
MAKRO UNIFOC
100/77 and 100/95

Item	Description	Length min/max	Focusing range	Fine focus range	Tilt range	Camera interface	Lens interface	Code No.
SCH 0089	UNIFOC 100/95 D01	136 mm/238 mm	102 mm	10.5 mm	+/- 1°	4x M4 84 mm x 90 mm	V-mount	1003231
SCH 0090	UNIFOC 100/77 D02	136 mm/238 mm	102 mm	10.5 mm	+/- 1°	4x M3 73 mm x 73 mm	V-mount	1004157

Applicable with SR 5.6/120 only.

Jos. Schneider Optische Werke GmbH
Ringstraße 132
55543 Bad Kreuznach
Germany
Tel.: +49-(0)6 71/6 01-205/- 491
Fax: +49-(0)6 71/6 01-286
www.schneiderkreuznach.com/industrialoptics
industrie@schneiderkreuznach.com

Schneider Optics, Inc.
285 Oser Avenue
Hauppauge, NY 11788
USA
Phone: +1 631.761.5000
Fax: +1 631.761.5090
www.schneideroptics.com/industrial
industrial@schneideroptics.com



945 East 11th Avenue Tampa, FL 33605

Phone: (813) 984-0125

Contact: Sales@pyramidimaging.com

https://pyramidimaging.com

