

Line scan lens

Makro-Symmar 5.6/120-0.33x

Wherever complex web and surface inspections are concerned, the line scan image capture method is used in most cases. Due to the principle used, this method requires a very careful choice of camera and an optimally adapted lens in order to achieve maximum system performance. It is essential to observe important application-specific and physical parameters: the size of the CCD or CMOS imaging sensor in the camera defines the minimum required image circle of the lens.



Makro-Symmar 5.6/120

Key Features

- Very high optical image quality in the large sensor range
- Vibration-insensitive for stable optical performance
- Reverse position of the lens possible to enlarge the magnification range
- Lockable distance and aperture settings
- Use in best azimuth position possible
- Industry-compatible V-mount interface
- 100% quality control guarantees reliability and constant quality
- Low maintenance requirements, therefore high system availability

Applications

- Web and surface inspections
- Quality control
- FPD inspection
- PCB inspection
- OLED inspection
- Line scan applications

Technical Specifications

F-number	5.6
Focal length	118.9 mm
Image circle	86 mm
Magnification	-0.33
Transmission	400 - 1000 nm
Interface	V-Mount
Weight	170 gr.
Option	Optical filter

Contact

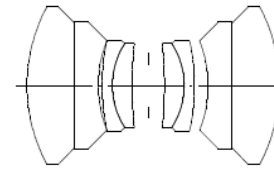
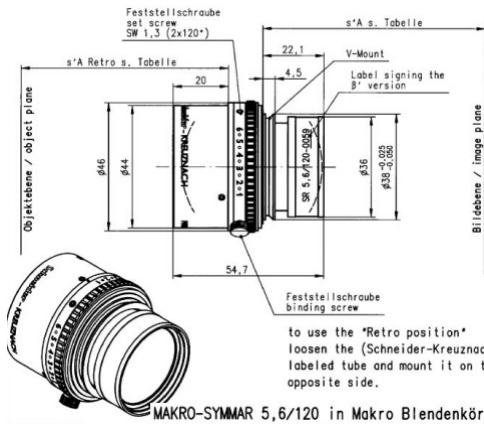
Jos. Schneider Optische Werke GmbH
 Ringstraße 132
 55543 Bad Kreuznach
 Germany
 Phone +49 671 601-387
 Fax +49 671 601-286
www.schneiderkreuznach.com/industrialoptics
industrie@schneiderkreuznach.com

Schneider Asia Pacific Ltd.
 20/F Central Tower, 28 Queen's Road
 Central, Hong Kong
 China
 Phone +852 8302 0301
 Fax +852 8302 4722
www.schneider-asiapacific.com
info@schneider-asiapacific.com

Schneider Optics Inc.
 285 Oser Ave.
 Hauppauge, NY 11788
 USA
 Phone +1 631 761-5000
 Fax +1 631 761-5090
www.schneideroptics.com/industrial
industrial@schneideroptics.com

Makro-Symmar 5.6/120-0.33

Pyramid Imaging



M-SR 5.6/120

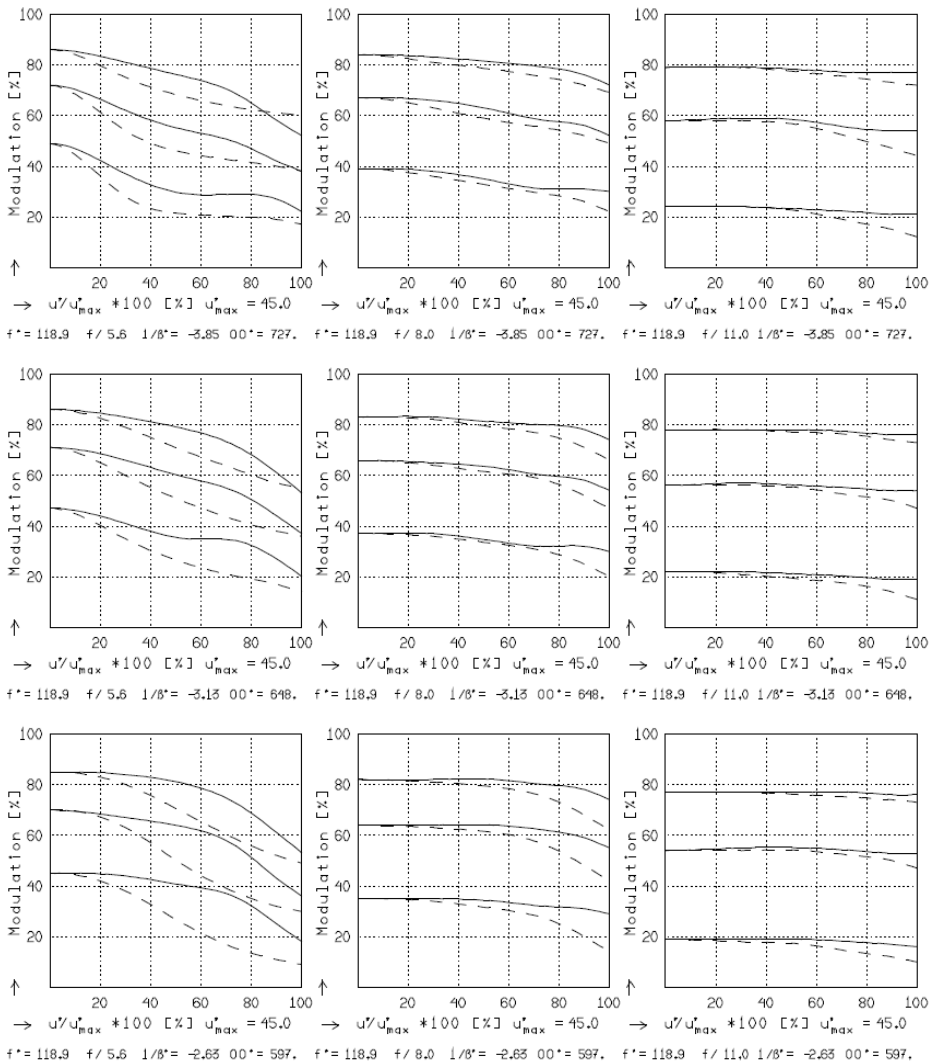
f^*	= 118.9 mm	β_p	= 1.001
s_F	= -96.3 mm	s_{EP}	= 22.6 mm
s_F^*	= 93.7 mm	s_{AP}	= -25.3 mm
HH^*	= 0.6 mm	Σd	= 48.5 mm

M-SR 5.6/120

MODULATION with reference to the relative image height

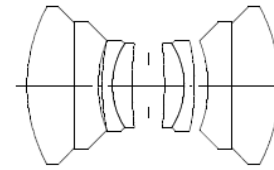
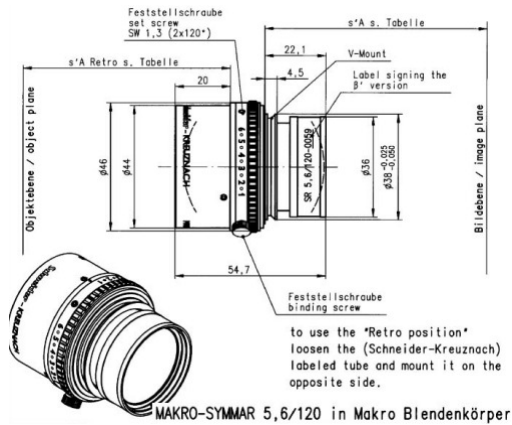
Wavelength λ	[nm]	555	655	605	505	455	405
Spectral weighting	[%]	19.6	23.7	22.2	15.7	12.1	6.7
Spatial frequency R	[1/mm]	20	40	80			
Format	[mm X mm]	90.0	0.0				
Diagonal $2u'$	[mm]	90.0					

radial —
tangential - - -



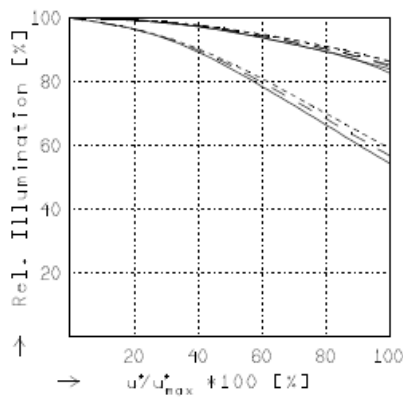
Focusing : MTF_{max} at $f / 5.6$. $R = 72$ 1/mm. $u'/u'_{max} = 0$

Makro-Symmar 5.6/120-0.33



M-SR 5.6/120

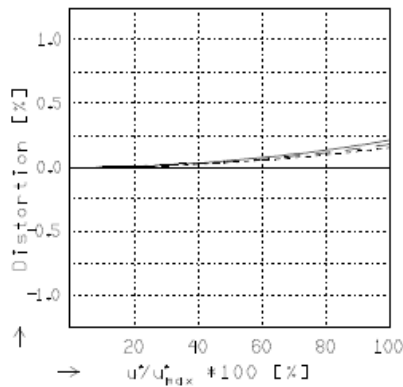
f^*	= 118.9 mm	β_p	= 1.001
s_F	= -96.3 mm	s_{EP}	= 22.6 mm
s_F^*	= 93.7 mm	s_{AP}	= -25.3 mm
HH^*	= 0.6 mm	Σd	= 48.5 mm



RELATIVE ILLUMINATION

The relative illumination is shown for the given focal distances or magnifications.

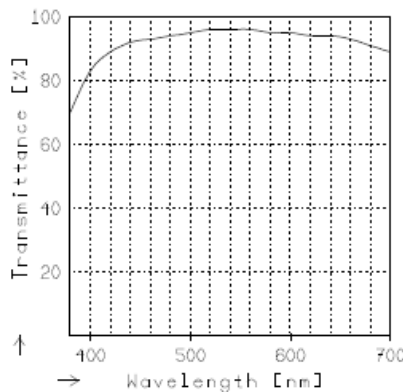
$f / 5.6$	$f / 8.0$	$f / 11.0$
— $\beta' = -0.2600$	$u_{max}^* = 45.1$	$00^* = 727.$
- - $\beta' = -0.3200$	$u_{max}^* = 45.1$	$00^* = 648.$
- · - $\beta' = -0.3800$	$u_{max}^* = 45.1$	$00^* = 597.$



DISTORTION

Distortion is shown for the given focal distances or magnifications. Positive values indicate pincushion distortion and negative values barrel distortion.

— $\beta' = -0.2600$	$u_{max}^* = 45.1$	$00^* = 727.$
- - $\beta' = -0.3200$	$u_{max}^* = 45.1$	$00^* = 648.$
- · - $\beta' = -0.3800$	$u_{max}^* = 45.1$	$00^* = 597.$



TRANSMITTANCE

Relative spectral transmittance is shown with reference to wavelength.



945 East 11th Avenue Tampa, FL 33605

Phone: (813) 984-0125

Contact: Sales@pyramidimaging.com

<https://pyramidimaging.com>