

# 5 Mega Pixel lens

## Apo-Xenoplan 1.4/23

The 5 megapixel high-performance lenses of the C-Mount compact series are extremely robust and insensitive to rough ambient conditions, with the result that the lenses retain their high optical imaging performance in industrial environments. The secure locking of the iris and focus settings and the broadband coating of 400 – 1000 nm is standard for all lenses.



Apo-Xenoplan 1.4/23

### Key Features

- Highest optical imaging performance even with smallest pixel sizes from 2.5 µm
- Excellent MTF across the entire sensor size
- Broadband coating (400 - 1000 nm)
- Compact and low weight
- Vibration insensitivity for stable imaging performance
- Focus and iris setting lockable

### Applications

- Machine Vision and other imaging applications
- 3D measurement
- Traffic
- Medical

### Technical Specifications

F-number	1.4
Focal length	22.9 mm
Image circle	11 mm
Transmission	400 - 1000 nm
Interface	C-Mount
Weight	115 gr.
Option	Optical filter

### Contact

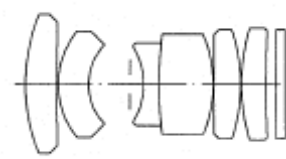
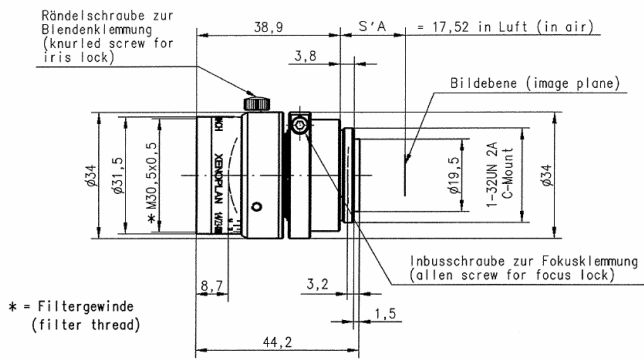
Jos. Schneider Optische Werke GmbH  
 Ringstraße 132  
 55543 Bad Kreuznach  
 Germany  
 Phone +49 671 601-387  
 Fax +49 671 601-286  
[www.schneiderkreuznach.com/industrialoptics](http://www.schneiderkreuznach.com/industrialoptics)  
[industrie@schneiderkreuznach.com](mailto:industrie@schneiderkreuznach.com)

Schneider Asia Pacific Ltd.  
 20/F Central Tower, 28 Queen's Road  
 Central, Hong Kong  
 China  
 Phone +852 8302 0301  
 Fax +852 8302 4722  
[www.schneider-asiapacific.com](http://www.schneider-asiapacific.com)  
[info@schneider-asiapacific.com](mailto:info@schneider-asiapacific.com)

Schneider Optics Inc.  
 285 Oser Ave.  
 Hauppauge, NY 11788  
 USA  
 Phone +1 631 761-5000  
 Fax +1 631 761-5090  
[www.schneideroptics.com/industrial](http://www.schneideroptics.com/industrial)  
[industrial@schneideroptics.com](mailto:industrial@schneideroptics.com)

# Apo-Xenoplan 1.4/23

# Pyramid Imaging



## APO-XENOPLAN 1.4/23

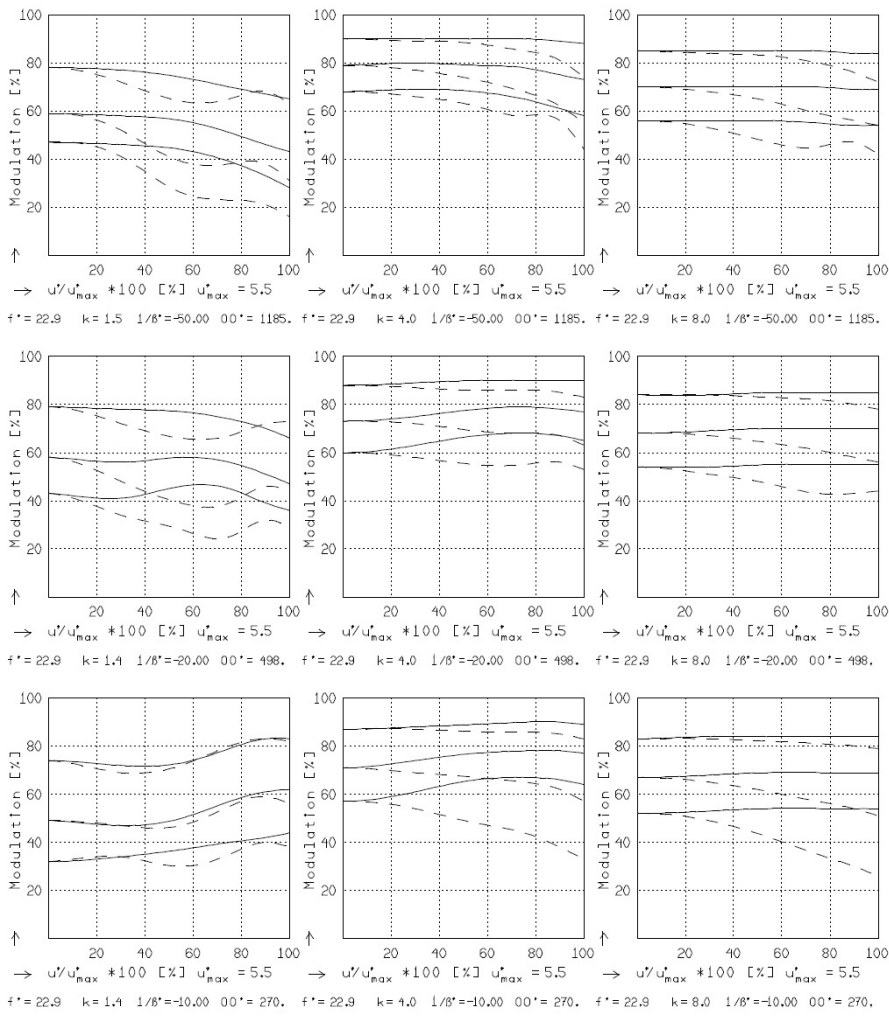
$f^*$ = 22.9 mm	$\beta_p$ = 2.409
$s_F$ = 9.5 mm	$s_{EP}$ = 19.1 mm
$s_F^*$ = 15.5 mm	$s_{AP}$ = -39.7 mm
$HH^*$ = -7.7 mm	$\Sigma d$ = 32.3 mm

### APO-XENOPLAN 1.4/23

MODULATION als Funktion der relativen Bildgröße

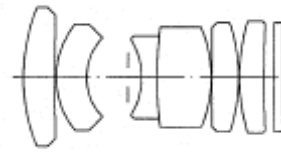
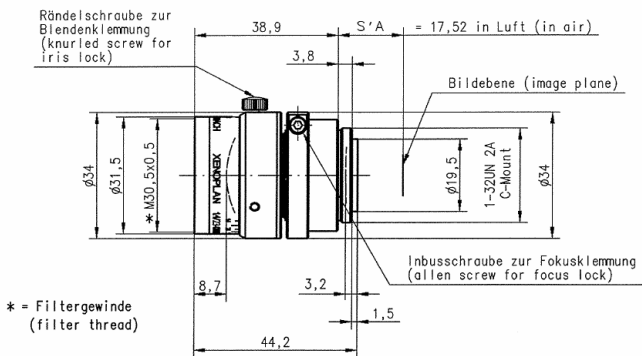
Wellenlänge $\lambda$ [nm] :	555	655	605	505	455	405
Spektrale Gewichtung [%] :	19.6	23.7	22.2	15.7	12.1	6.7
Ortsfrequenz R [1/mm] :	25	50	75			
Format [mm X mm] :	6.6	8.8				
Diagonale $2u'$ [mm] :	11.0					

radial —  
tangential - -



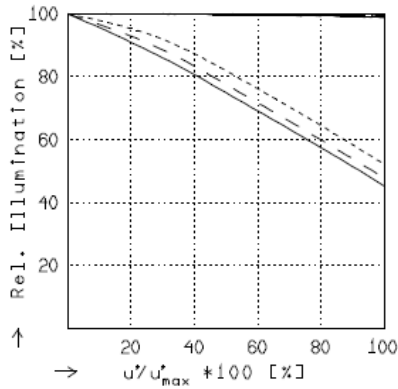
Fokussierung MTF<sub>max</sub> bei k = 1.4 . R = 75 1/mm. u'/u'\_max = 0

# Apo-Xenoplan 1.4/23



## APO-XENOPLAN 1.4/23

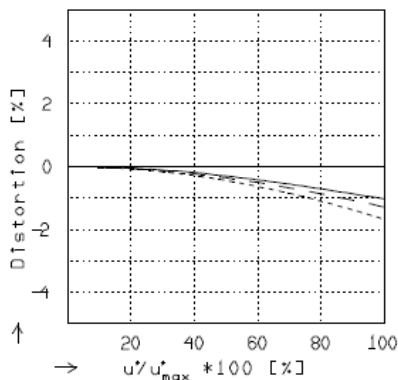
$f^*$	= 22.9 mm	$\beta_p^*$	= 2.409
$s_F$	= 9.5 mm	$s_{EP}$	= 19.1 mm
$s_F^*$	= 15.5 mm	$s_{AP}^*$	= -39.7 mm
$HH^*$	= -7.7 mm	$\Sigma d$	= 32.3 mm



### RELATIVE ILLUMINATION

The relative illumination is shown for the given focal distances or magnifications.

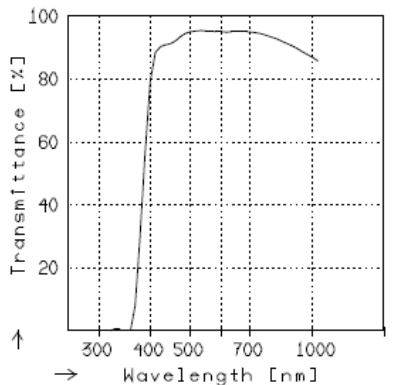
	$f / 1.5$	$f / 4.0$	$f / 8.0$
— $\beta^* = -0.0200$	$u'_{max} = 5.4$	$00' = 1184.$	
- - $\beta^* = -0.0500$	$u'_{max} = 5.4$	$00' = 498.$	
... $\beta^* = -0.1000$	$u'_{max} = 5.4$	$00' = 270.$	



### DISTORTION

Distortion is shown for the given focal distances or magnifications. Positive values indicate pincushion distortion and negative values barrel distortion.

— $\beta^* = -0.0200$	$u'_{max} = 5.4$	$00' = 1184.$
- - $\beta^* = -0.0500$	$u'_{max} = 5.4$	$00' = 498.$
... $\beta^* = -0.1000$	$u'_{max} = 5.4$	$00' = 270.$



### TRANSMITTANCE

Relative spectral transmittance is shown with reference to wavelength.



945 East 11<sup>th</sup> Avenue Tampa, FL 33605

Phone: (813) 984-0125

Contact: Sales@pyramidimaging.com

<https://pyramidimaging.com>