

3 Mega Pixel lens

Cinegon 2.1/6

In accordance with the sensitivity of modern 2 / 3" CCD and CMOS sensors, the 3 megapixel lenses are corrected and broadband-coated for the spectral range of 400 – 1000 nm (VIS + NIR). Even under production and / or extreme conditions, the robust mechanical design with lockable focus and iris setting mechanism guarantees reliable continuous use in which the set optical parameters remain in place.



Cinegon 2.1/6

Key Features

- High-resolution optics
- Highest optical imaging performance even with smallest pixel sizes
- Broadband coating (400 - 1000 nm)
- Compact and low weight
- Vibration insensitivity for stable imaging performance
- Focus and iris setting lockable

Applications

- Machine Vision and other imaging applications
- 3D measurement
- Traffic
- Medical
- Robot vision
- Food processing

Technical Specifications

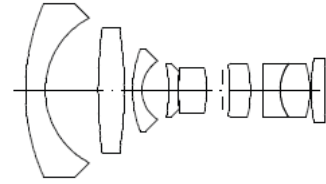
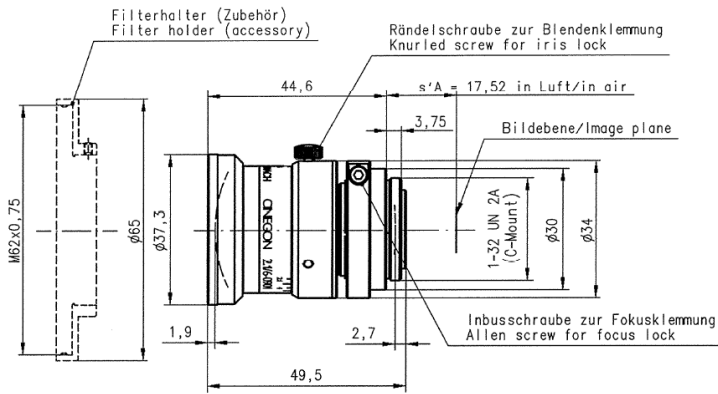
F-number	2.1
Focal length	6.2 mm
Image circle	11 mm
Transmission	400 - 1000 nm
Interface	C-Mount
Weight	110 gr.
Option	Optical filter

Contact

Jos. Schneider Optische Werke GmbH
 Ringstraße 132
 55543 Bad Kreuznach
 Germany
 Phone +49 671 601-387
 Fax +49 671 601-286
www.schneiderkreuznach.com/industrialoptics
industrie@schneiderkreuznach.com

Schneider Asia Pacific Ltd.
 20/F Central Tower, 28 Queen's Road
 Central, Hong Kong
 China
 Phone +852 8302 0301
 Fax +852 8302 4722
www.schneider-asiapacific.com
info@schneider-asiapacific.com

Schneider Optics Inc.
 285 Oser Ave.
 Hauppauge, NY 11788
 USA
 Phone +1 631 761-5000
 Fax +1 631 761-5090
www.schneideroptics.com/industrial
industrial@schneideroptics.com



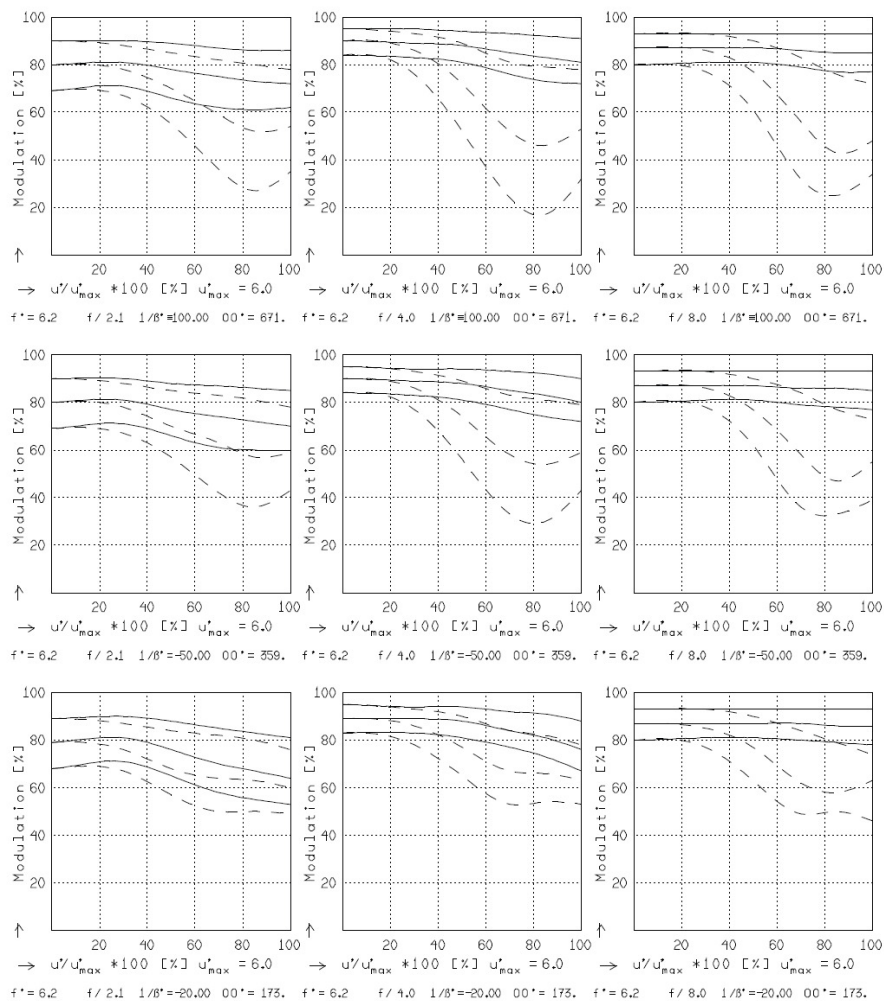
CINEGON 2.1/6.0

f'	=	6.2 mm	β_p	=	6.580
s_F	=	13.2 mm	s_{EP}	=	14.1 mm
$s_{F'}$	=	15.3 mm	s_{AP}	=	-25.4 mm
HH'	=	35.0 mm	Σd	=	45.3 mm

CNG 2.1/6.0

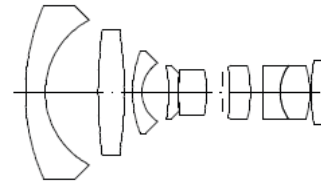
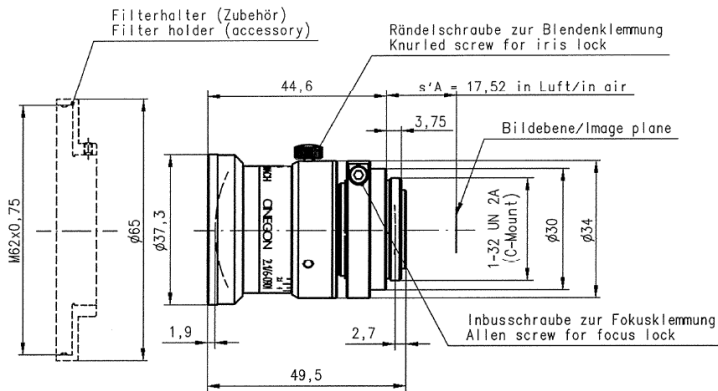
MODULATION with reference to the relative image height

Wavelength λ	[nm]	587	655	605	505	455	405
Spectral weighting	[%]	19.4	23.2	21.7	15.4	11.8	8.5
Spatial frequency R	[1/mm]	10	20	30			
Format	[mm X mm]	6.6	8.8				
Diagonal $2u'$	[mm]	11.0					



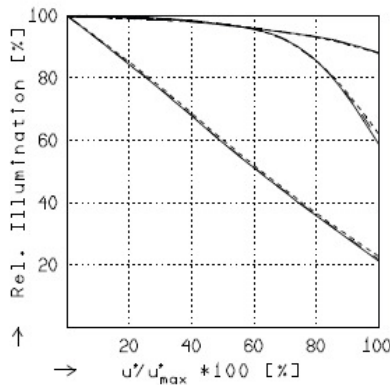
Focusing : MTF_{max} at $f / 2.1$. $R = 30$ 1/mm, $u'/u'_{max} = 0$

Cinegon 2.1/6



CINEGON 2.1/6.0

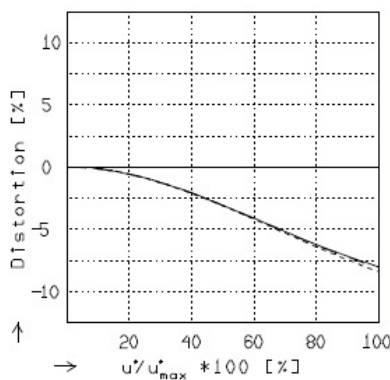
f'	=	6.2 mm	β_p'	=	6.580
s_F	=	13.2 mm	s_{EP}	=	14.1 mm
$s_{F'}$	=	15.3 mm	s_{AP}'	=	-25.4 mm
HH'	=	35.0 mm	Σd	=	45.3 mm



RELATIVE ILLUMINATION

The relative illumination is shown for the given focal distances or magnifications.

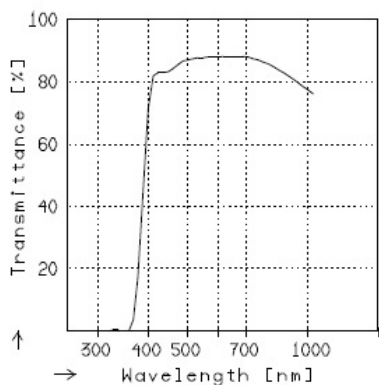
	$f / 2.1$	$f / 4.0$	$f / 8.0$
—	$\beta' = -0.0100$	$u'_{max} = 5.5$	$00' = 666.$
- -	$\beta' = -0.0200$	$u'_{max} = 5.5$	$00' = 357.$
...	$\beta' = -0.0500$	$u'_{max} = 5.5$	$00' = 171.$



DISTORTION

Distortion is shown for the given focal distances or magnifications. Positive values indicate pincushion distortion and negative values barrel distortion.

—	$\beta' = -0.0100$	$u'_{max} = 5.5$	$00' = 666.$
- -	$\beta' = -0.0200$	$u'_{max} = 5.5$	$00' = 357.$
...	$\beta' = -0.0500$	$u'_{max} = 5.5$	$00' = 171.$



TRANSMITTANCE

Relative spectral transmittance is shown with reference to wavelength.



945 East 11th Avenue Tampa, FL 33605

Phone: (813) 984-0125

Contact: Sales@pyramidimaging.com

<https://pyramidimaging.com>