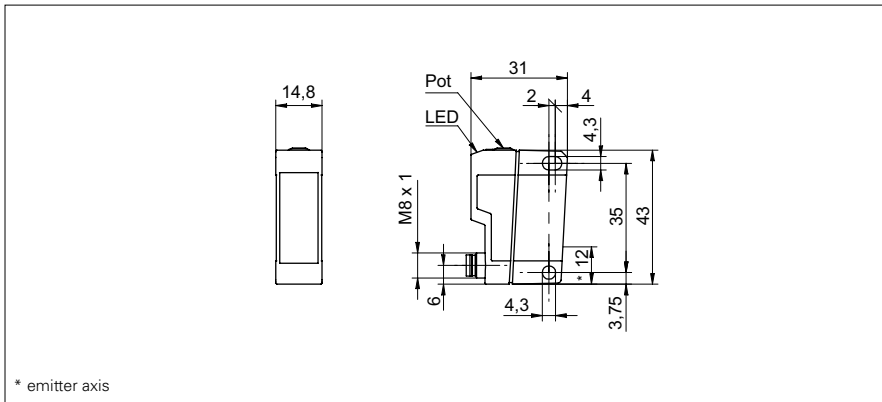


# Diffuse sensors with background suppression

## OHDK 14N5101/S35A

### dimension drawing



\* emitter axis

### general data

type	background suppression
light source	pulsed red laser diode
sensing distance Tw	20 ... 350 mm
sensing range Tb (at Tw max.)	20 ... 350 mm
sensing range Tb (at Tw min.)	5 ... 20 mm
repeat accuracy	< 0,2 mm at laser focus
power on indication	LED green
light indicator	LED yellow
sensing distance adjustment	mechanical, 9 turn
laser class	2
distance to focus	115 mm
wave length	650 nm

### electrical data

response time / release time	< 0,5 ms
voltage supply range +Vs	10 ... 30 VDC
current consumption max. (no load)	35 mA
current consumption typ.	25 mA
voltage drop Vd	< 2,2 VDC
output function	light / dark operate
output circuit	NPN
output current	< 100 mA
short circuit protection	yes
reverse polarity protection	yes

### mechanical data

width / diameter	14,8 mm
height / length	43 mm
depth	31 mm
type	rectangular
housing material	plastic (ASA, MABS)
front (optics)	PMMA
connection types	connector M8 4 pin

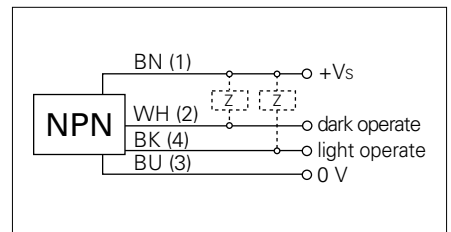
### ambient conditions

operating temperature	-10 ... +50 °C
protection class	IP 67

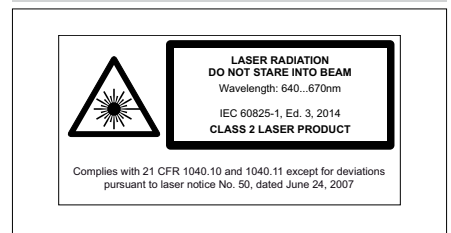
### photo



### connection diagram



### laser warning



Pyramid Imaging Inc  
 945 East 11th Avenue  
 Tampa, FL 33605  
<https://pyramidimaging.com>  
[Sales@pyramidimaging.com](mailto:Sales@pyramidimaging.com)  
 (813) 984-0125