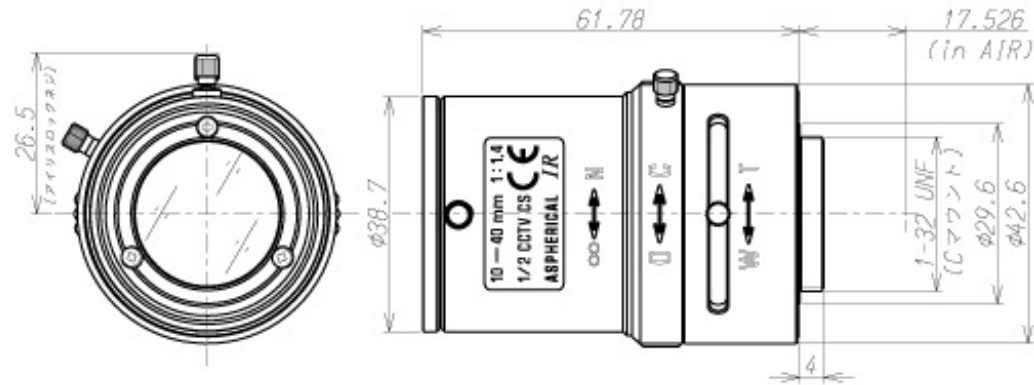


12VM1040ASIR



SPECIFICATIONS

		12VM1040ASIR	
Imager Size		1/2	
Mount Type		C	
Focal Length		10 - 40mm	
Aperture Range		1.4 - Close	
	1/2	Wide	37.5° x 27.5°
		Tel	0.0° x 7.0°

Angle of View (Horizontal x Vertical)		Wide	9.2° x 7.0°
	1/3	Wide	27.5° x 20.4°
		Tele	7.0° x 5.2°
Focusing Range			0.5m - ∞
Operation		Focus	Manual with Lock
		Zoom	Manual with Lock
		Iris	Manual with Lock
Filter Size			-
Back Focus(in air)			Wide 12.376 - Tele 18.812mm
Operating Voltage			-
Weight			77g
Operating Temperature			-20°C - +60°C

Download

You can download the specifications.

[▶ Download Specifications](#)

T e r m s o f U s e

▲ B a c k

© Copyright 2002-2011 TAMRON Co.,Ltd.