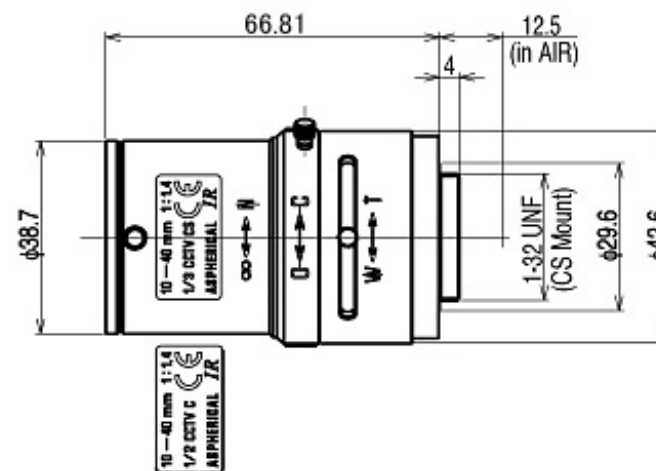
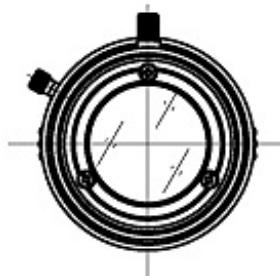


13VG1040ASIR



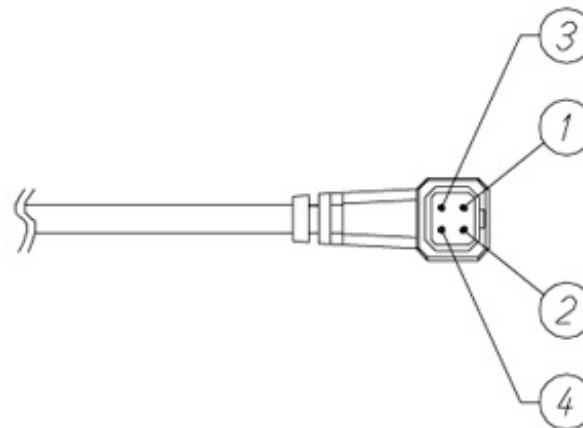
SPECIFICATIONS

		13VG1040ASIR
Imager Size		1/3
Mount Type		CS
Focal Length		10 - 40mm
Aperture Range		1.4 - 360
	Wide	37.5° x 27.5°

Angle of View (Horizontal x Vertical)	1/2	Tele	9.2° x 7.0°
	1/3	Wide	27.5° x 20.4°
		Tele	7.0° x 5.2°
Focusing Range			0.5m - ∞
Operation	Focus		Manual with Lock
	Zoom		Manual with Lock
	Iris		DC Auto Iris
Filter Size			-
Back Focus(in air)			Wide 12.376 - Tele 18.812mm
Operating Voltage			Open 3.0V Close 0.5V
Weight			89g
Operating Temperature			-20°C - +60°C

Wiring Diagram

Pin	
1	Cont(-)
2	Cont(+)
3	Drive(+)
4	Drive(-)



945 East 11th Avenue Tampa, FL 33605

Phone: (813) 984-0125

Contact: Sales@pyramidimaging.com

<https://pyramidimaging.com>

 PDFmyURL.com

Download



You can download the specifications.

[▶ Download Specifications](#)

[T e r m s o f U s e](#)

[▲ B a c k](#)

© Copyright 2002-2011 TAMRON Co.,Ltd.