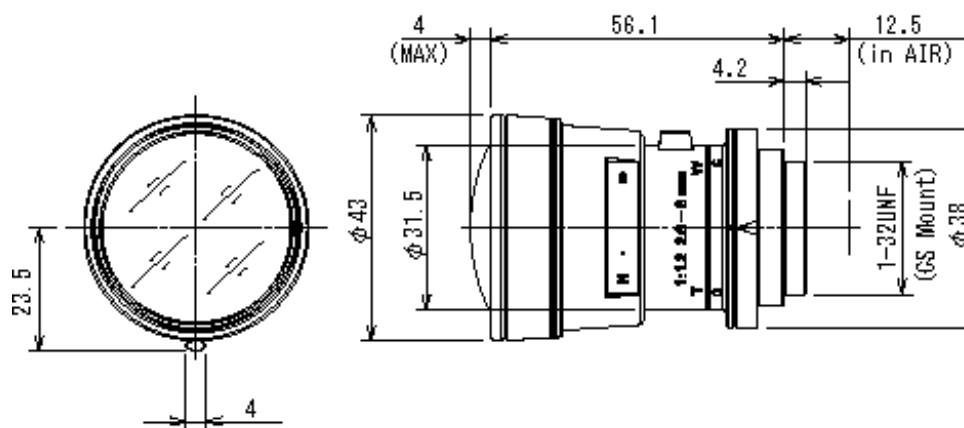
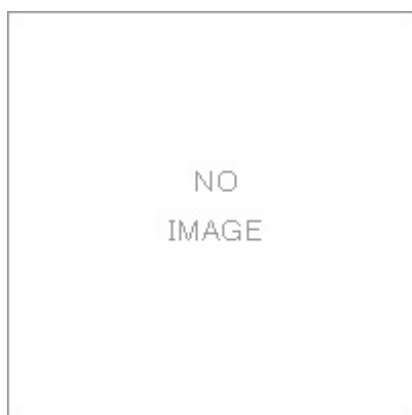


13VM286T



SPECIFICATIONS

		13VM286T	
Imager Size		1/3	
Mount Type		CS	
Focal Length		2.8 - 6mm	
Aperture Range		1.2 - Close	
Angle of View	1/3	Wide	88.7° x 69.2°
		Tele	44.2° x 34.0°

(Horizontal x Vertical)	1/4	Wide	69.1° x 52.8°
		Tele	34.0° x 25.9°
Focusing Range		0.3m - ∞	
Operation	Focus	Manual	
	Zoom	Manual	
	Iris	Manual	
Filter Size		-	
Back Focus(in air)		8.54mm	
Operating Voltage		-	
Weight		80g	
Operating Temperature		-10°C - +70°C	

T e r m s o f U s e

▲ B a c k

© Copyright 2002-2011 TAMRON Co.,Ltd.



945 East 11th Avenue Tampa, FL 33605

Phone: (813) 984-0125

Contact: Sales@ pyramidimaging.com

<https://pyramidimaging.com>