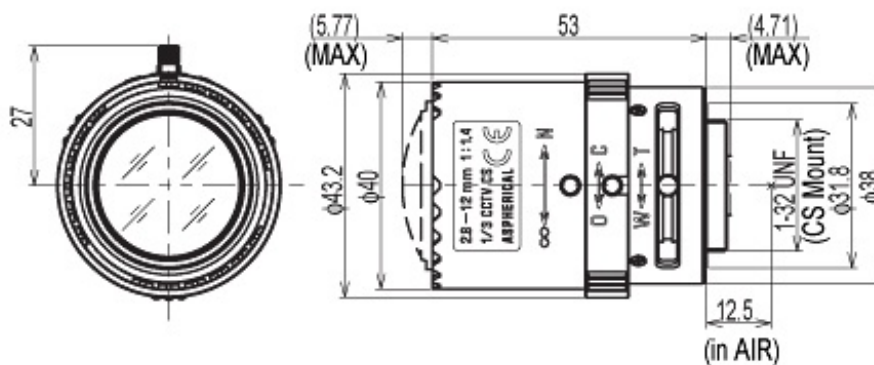


13VM2812ASII



SPECIFICATIONS

		13VM2812ASII	
Imager Size		1/3	
Mount Type		CS	
Focal Length		2.8 - 12mm	
Aperture Range		1.4 - Close	
	1/3	Wide	97.4° x 72.5°
		Telo	24.4° x 18.4°

Angle of View (Horizontal x Vertical)		Wide	24.1° x 18.1°
	1/4	Wide	72.5° x 54.1°
		Tele	18.1° x 13.6°
Focusing Range			0.3m - ∞
Operation	Focus		Manual with Lock
	Zoom		Manual with Lock
	Iris		Manual with Lock
Filter Size			-
Back Focus(in air)			Wide 8.61 - Tele 19.90mm
Operating Voltage			-
Weight			67g
Operating Temperature			-20°C - +60°C

Download

You can download the specifications.

[▶ Download Specifications](#)

[T e r m s o f U s e](#)

[▲ B a c k](#)

© Copyright 2002-2011 TAMRON Co.,Ltd.



945 East 11th Avenue Tampa, FL 33605

Phone: (813) 984-0125

Contact: Sales@ pyramidimaging.com

<https://pyramidimaging.com>