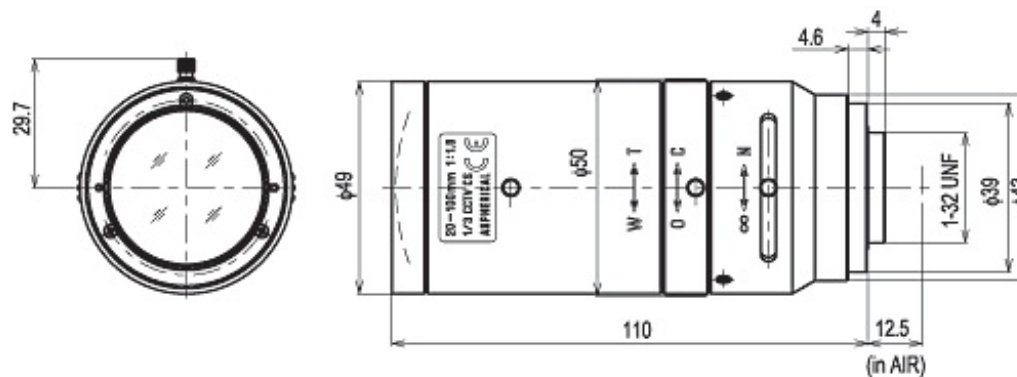


13VM20100AS



SPECIFICATIONS

	13VM20100AS
Imager Size	1/3
Mount Type	CS
Focal Length	20 - 100mm

Aperture Range		1.6 - Close	
Angle of View (Horizontal x Vertical)	1/3	Wide	13.6° x 10.2°
		Tele	2.8° x 2.1°
	1/4	Wide	10.2° x 7.6°
		Tele	2.1° x 1.6°
Focusing Range		1.0m - ∞	
Operation	Focus		Manual with Lock
	Zoom		Manual with Lock
	Iris		Manual with Lock
Filter Size		-	
Back Focus(in air)		Wide 22.292 - Tele 18.298mm	
Operating Voltage		-	
Weight		148g	
Operating Temperature		-20°C - +60°C	

Download

You can download the specifications.

[▶ Download Specifications](#)

T e r m s o f U s e

▲ B a c k

© Copyright 2002-2011 TAMRON Co.,Ltd.



945 East 11th Avenue Tampa, FL 33605

Phone: (813) 984-0125

Contact: Sales@ pyramidimaging.com

<https://pyramidimaging.com>