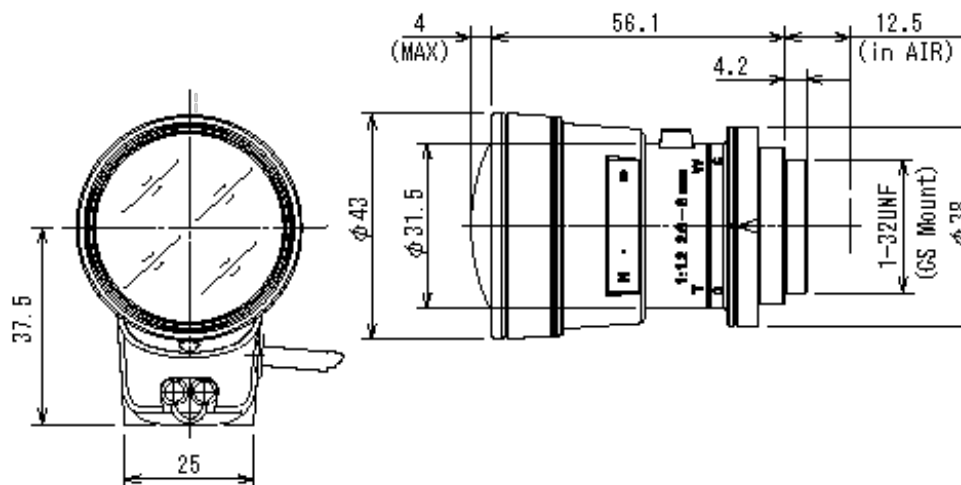
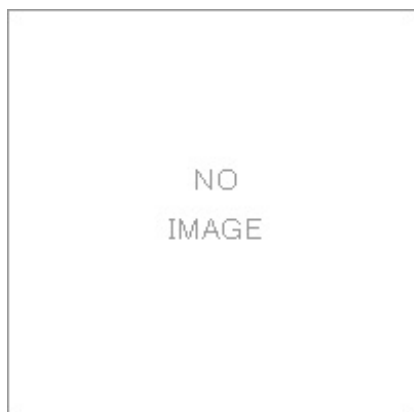


13VG286T



SPECIFICATIONS

		13VG286T	
Imager Size		1/3	
Mount Type		CS	
Focal Length		2.8 - 6mm	
Aperture Range		1.2 - 64	
	1/3	Wide	88.7° x 69.2°

Angle of View (Horizontal x Vertical)	1/4	Tele	44.2° x 34.0°
		Wide	69.1° x 52.8°
		Tele	34.0° x 25.9°
Focusing Range		0.3m - ∞	
Operation	Focus	Manual	
	Zoom	Manual	
	Iris	DC Auto Iris	
Filter Size		-	
Back Focus(in air)		8.54mm	
Operating Voltage		Open 4.0V Close 0.5V	
Weight		100g	
Operating Temperature		-10°C - +70°C	

Wiring Disgram



Pyramid Imaging
 945 East 11th Avenue Tampa, FL 33605
 sales@pyramidimaging.com
 www.pyramidimaging.com
 813-786-3785

