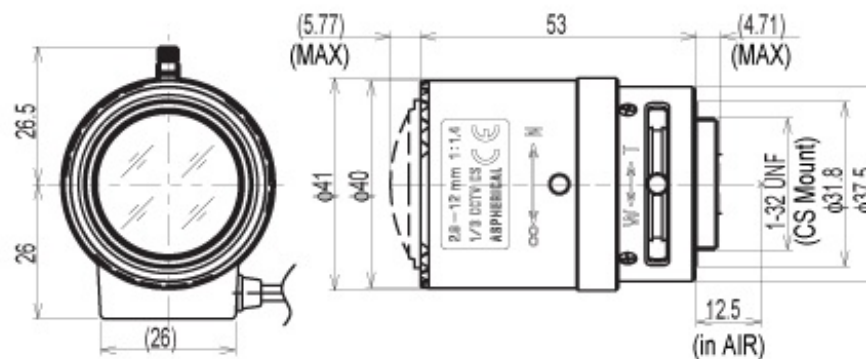


13VG2812ASII



SPECIFICATIONS

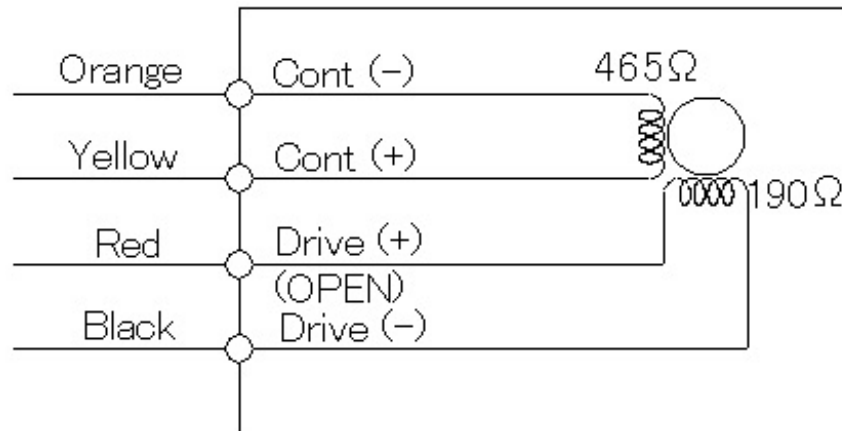
		13VG2812ASII	
Imager Size		1/3	
Mount Type		CS	
Focal Length		2.8 - 12mm	
Aperture Range		1.4 - 360	
	1/3	Wide	97.4° x 72.5°
		Telo	24.1° x 18.1°

Angle of View (Horizontal x Vertical)		Wide	24.1° x 18.1°
	1/4	Wide	72.5° x 54.1°
		Tele	18.1° x 13.6°
Focusing Range			0.3m - ∞
Operation	Focus		Manual with Lock
	Zoom		Manual with Lock
	Iris		DC Auto Iris
Filter Size			-
Back Focus(in air)			Wide 8.61 - Tele 19.90mm
Operating Voltage			Open 3.3V Close 0.7V
Weight			71g
Operating Temperature			-20°C - +60°C

Wiring Diagram



Pyramid Imaging
 945 East 11th Avenue Tampa, FL 33605
 sales@pyramidimaging.com
 www.pyramidimaging.com
 813-786-3785



Download

You can download the specifications.

[▶ Download Specifications](#)

[T e r m s o f U s e](#)

[▲ B a c k](#)

© Copyright 2002-2011 TAMRON Co.,Ltd.