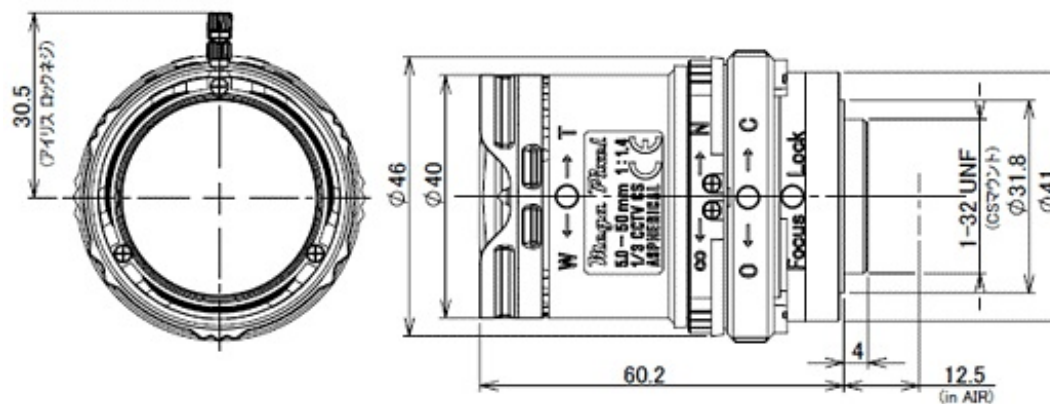


M13VM550



SPECIFICATIONS

		M13VM550	
Imager Size		1/3	
Mount Type		CS	
Focal Length		5 - 50mm	
Aperture Range		1.4 - Close	
Angle of View (Horizontal x Vertical)	1/3	Wide	53.8° x 40.3°
		Tele	5.5° x 4.2°
		Wide	40.3° x 30.2°

	1/4	Tele	4.2° x 3.1°
Focusing Range			1m - ∞
Operation		Focus	Manual with Lock
		Zoom	Manual with Lock
		Iris	Manual with Lock
Filter Size			-
Back Focus(in air)			Wide 10.28 - Tele 10.98mm
Operating Voltage			-
Weight			64g
Operating Temperature			-20°C - +60°C

Download

You can download the specifications.

[▶ Download Catalog](#)

[▶ Download Specifications](#)

[T e r m s o f U s e](#)

[▲ B a c k](#)

© Copyright 2002-2011 TAMRON Co.,Ltd.



945 East 11th Avenue Tampa, FL 33605

Phone: (813) 984-0125

Contact: Sales@ pyramidimaging.com

<https://pyramidimaging.com>