

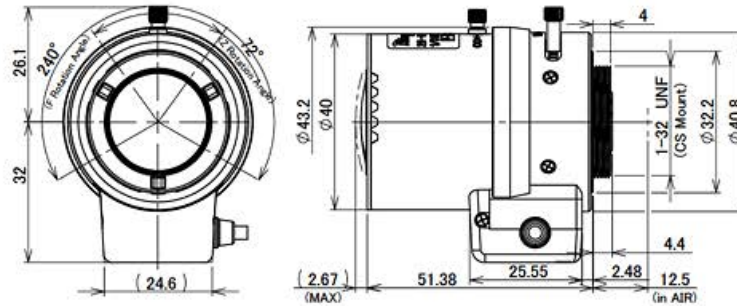
## M13VP288IR

945 East 11<sup>th</sup> Avenue Tampa, FL 33605

Phone: (813) 984-0125

Contact: Sales@pyramidimaging.com

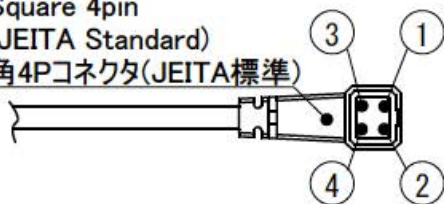
https://pyramidimaging.com



## SPECIFICATIONS

		M13VP288IR	
Imager Size		1/3 (Applicable for 1/2.7, 1/2.8)	
Mount Type		CS	
Focal Length		2.8 - 8mm	
Aperture Range		1.2 - Close	
Angle of View (Horizontal x Vertical)	1/3	Wide	100.1° x 72.9°
		Tele	35.8° x 26.8°
	1/4	Wide	72.9° x 53.9°
		Tele	26.8° x 20.1°
Focusing Range		0.3m - ∞	
Operation	Focus	Manual with Lock	
	Zoom	Manual with Lock	
	Iris	P-Iris (Stepping motor switching control)	
Filter Size		-	
Back Focus(in air)		Wide 8.339 - Tele 14.944mm	
Wave Length		Visible Light - Near Infrared	
Operating Voltage Range		3.0v - 5.0v	
Driving Current		95mA : Per-phase	
Weight		68g	
Operating Temperature		-20°C - +60°C	
Wiring Diagram			

Square 4pin  
(JEITA Standard)  
角4Pコネクタ(JEITA標準)



※仕様はお断りなく変更する場合があります。

Specifications subjected to change without any notice.

Pin	Appellation 名称	Driving Excitation Pattern 駆動励磁パターン								Excitation Pattern at Full Aperture 解放端スタート励磁パターン			
		Pin	Phase 相	①	②	③	④	⑤	⑥	⑦	⑧	Phase 相	Excitation 励磁
1	A	1	A	H	L	L	L	L	L	H	H	A	H
2	B	2	B	L	L	L	L	H	H	H	L	B	L
3	B-	3	B-	H	H	H	L	L	L	L	L	B-	H
4	A-	4	A-	L	L	H	H	H	L	L	L	A-	L

\* Connecting the lens to a camera that does not support the P-Iris technology may cause malfunction.  
The lens cannot be connected to cameras that use DC auto iris or video auto iris lenses.