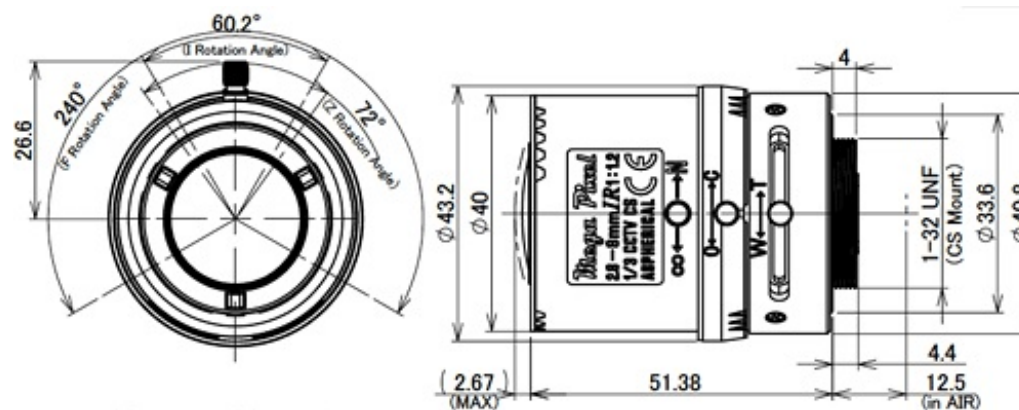


M13VM288IR



SPECIFICATIONS

			M13VM288IR
Imager Size			1/3
Mount Type			CS
Focal Length			2.8 - 8mm
Aperture Range			1.2 - Close
Angle of View (Horizontal x Vertical)	1/3	Wide	100.1° x 72.9°
		Tele	35.8° x 26.8°
		Wide	72.9° x 53.9°

	1/4	Tele	26.8° x 20.1°
Focusing Range			0.3m - ∞
Operation		Focus	Manual with Lock
		Zoom	Manual with Lock
		Iris	Manual with Lock
Filter Size			-
Back Focus(in air)			Wide 8.339 - Tele 14.944mm
Wave Length			Visible Light - Near Infrared
Operating Voltage			-
Weight			61g
Operating Temperature			-20°C - +60°C

Download

You can download the specifications.

[▶ Download Catalog](#)

[▶ Download Specifications](#)

[T e r m s o f U s e](#)

[▲ B a c k](#)

© Copyright 2002-2011 TAMRON Co.,Ltd.



945 East 11th Avenue Tampa, FL 33605

Phone: (813) 984-0125

Contact: Sales@ pyramidimaging.com

<https://pyramidimaging.com>