



945 East 11th Avenue Tampa, FL 33605

Phone: (813) 984-0125

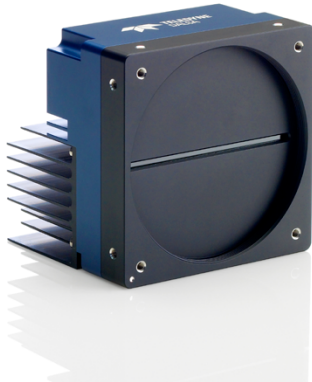
Contact: Sales@pyramidimaging.com

https://pyramidimaging.com



Piranha XL 16K
Multi-line CMOS Color TDI Camera

Multi-line CMOS Color TDI Camera Delivers Breakthrough Performance



Teledyne DALSA presents our latest multi-line CMOS color camera—Piranha™ XL 16k. This camera delivers an unprecedented combination of speed and responsivity with low noise and in color. Each color uses four rows, resulting in an exceptionally responsive tricolor operation with no color interpolation.

The camera uses the field-proven Camera Link HS™ interface based on Teledyne DALSA's technology. The camera achieves very high data throughput with long transmission distances and reliability. This camera, combined with the XTium Camera Link HS frame grabber, offers a complete solution for the next generation Automatic Optical Inspection.

Specifications

Resolution	16,352 x 12 pixels (4 rows per color)
Line Rate	40 kHz / 70 kHz maximum x 3 (120 kHz / 210 kHz aggregate)
Pixel Size	5 μm x 5 μm
Data Format	8 bit
Output	Camera Link HS (1 or 2 cables)
Lens Mount	M90 x 1 mm
Peak Responsivity	21 nJ / cm ² @ 460 nm, 8 bit, 1x gain 22 nJ / cm ² @ 525 nm, 8 bit, 1x gain 25 nJ / cm ² @ 625 nm, 8 bit, 1x gain
NEE	20 pJ / cm ² @ 460 nm 18 pJ / cm ² @ 525 nm 12 pJ / cm ² @ 625 nm
Nominal Gain Range	1x to 5x
Antiblooming	> 100x
Size	97 (W) x 97 (H) x 85.2 (D) mm (40 kHz model) 97 (W) x 140.21 (H) x 78.7 (D) mm (70 kHz model)
Mass	790 g (40 kHz model) 1080 g (70 kHz model)
Operating Temp	0 to +60 °C (front plate)
Power	+12 V to +24 V DC, Hirose 6-pin
Power Dissipation	29 W, max (40 kHz model) 36 W, max (70 kHz model)
Control & Data	Camera Link HS
Regulatory Compliance	CE and RoHS

Key Features

- Trilinear color TDI sensor
- True exposure control
- Up to 70 kHz of three line RGB data
- High full well maximizing signal-to-noise
- High dynamic range using a look-up table (LUT)
- Bidirectional scanning
- Smart lens shading correction
- Parallax correction for applications using angled cameras
- CX4 active optical cable compatibility

Programmability

- Sub-pixel spatial correction for precise encoder timing alignment
- White balancing
- Multiple areas of interest (AOI) for data reduction
- Multiple regions of interest (ROI) for easy calibration
- Lens and shading correction
- Test pattern and diagnostics

Typical Applications

- Flat panel display inspection
- Film and web inspection
- Printed circuit board inspection
- High throughput and high resolution applications
- Print inspection

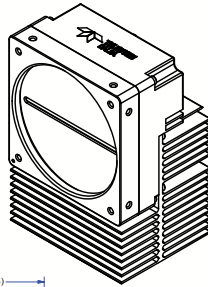
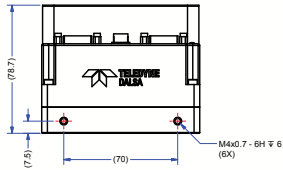
Models			
Part Number	Resolution	Maximum Line Rates	Pixel Size
PX-HC-16K04T-00-R	16,352 x 12	40 kHz x 3 (120 kHz aggregate)	5 μm x 5 μm
PX-HC-16K07T-00-R	16,352 x 12	70 kHz x 3 (210 kHz aggregate)	5 μm x 5 μm



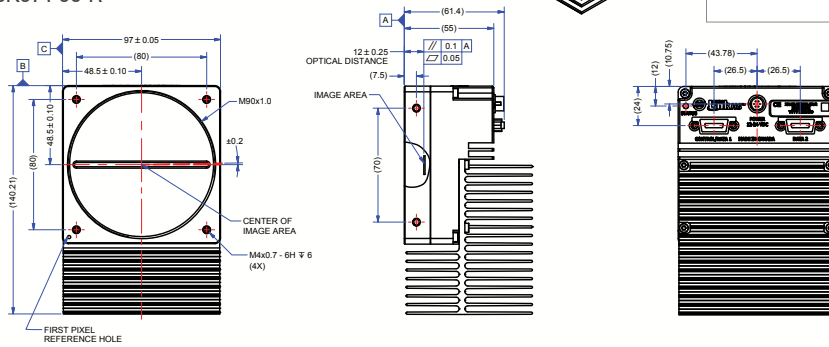


Piranha XL 16K

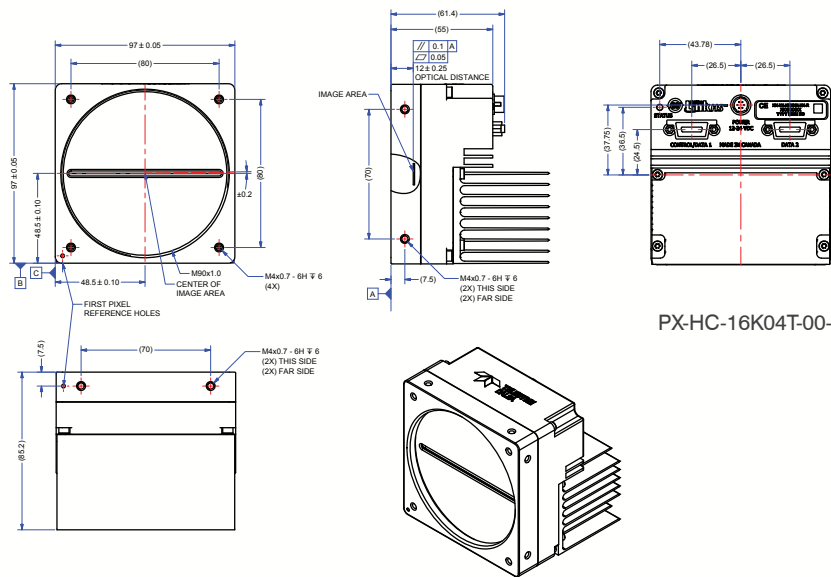
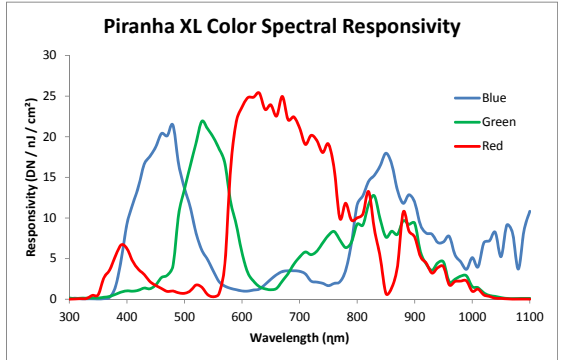
Multi-line CMOS Color TDI Camera



PX-HC-16K07T-00-R



NOTES:
1. UNITS: MILLIMETERS.
2. IMAGE AREA IS ALIGNED TO DATUMS A, B & C.



PX-HC-16K04T-00-R

NOTES:
1. UNITS: MILLIMETERS.
2. IMAGE AREA IS ALIGNED TO DATUMS A, B & C.

www.teledynedalsa.com

Americas
Boston, USA
+1 978-670-2000
sales.americas@teledynedalsa.com

Europe
Krailling, Germany
+49 89-89-54-57-3-80
sales.europe@teledynedalsa.com

Asia Pacific
Tokyo, Japan
+81 3-5960-6353
sales.asia@teledynedalsa.com

Shanghai, China
+86 21-3368-0027
sales.asia@teledynedalsa.com

Teledyne DALSA has its corporate offices in Waterloo, Canada
Teledyne DALSA reserves the right to make changes at any time without notice. Teledyne DALSA © 2017.
Revision number 03-070-20097-02. Revision date August 17, 2017.

