

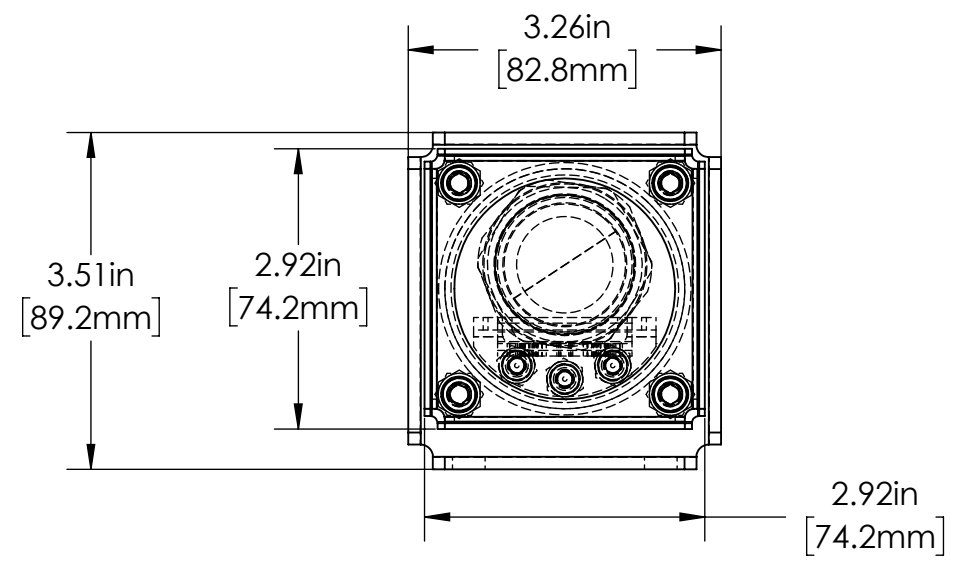
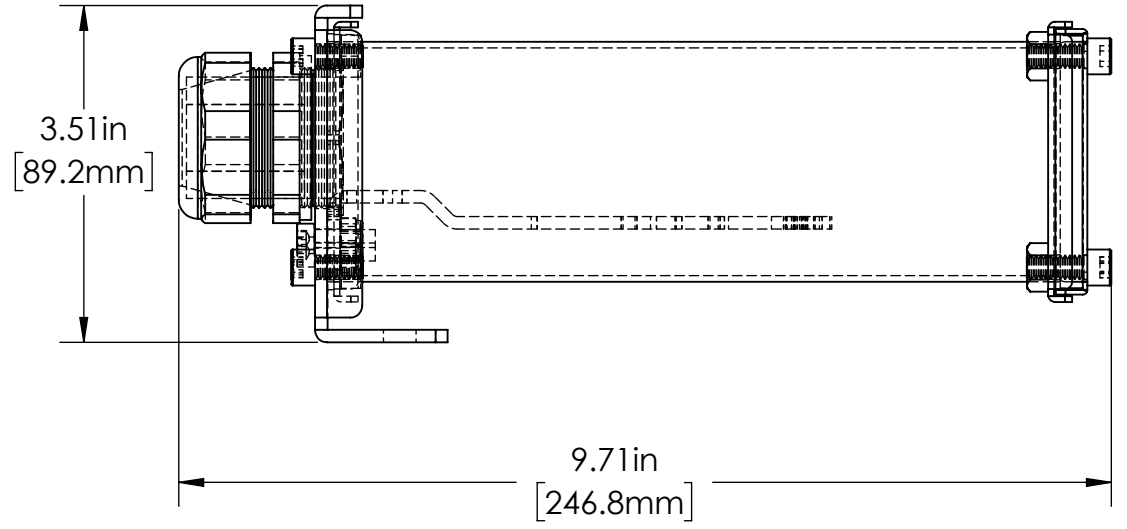
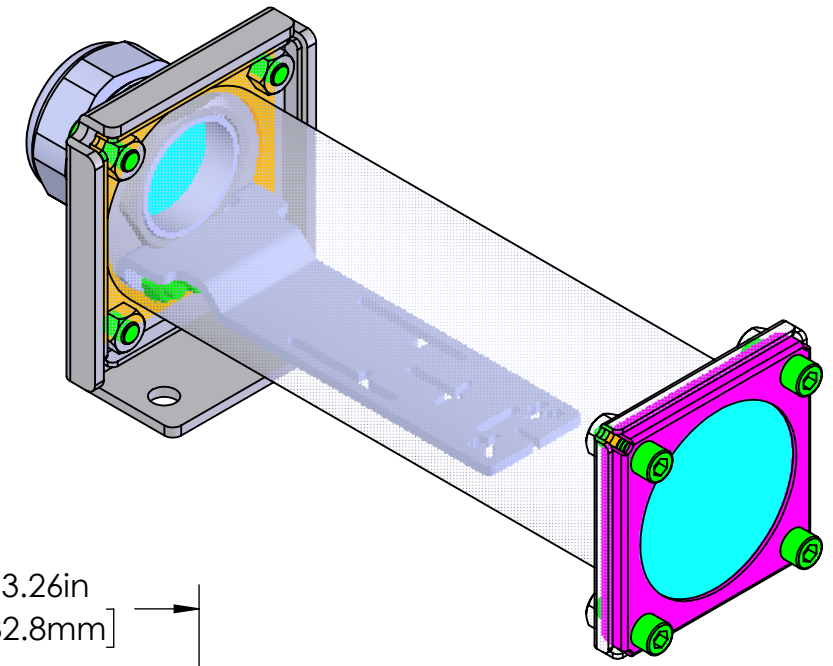
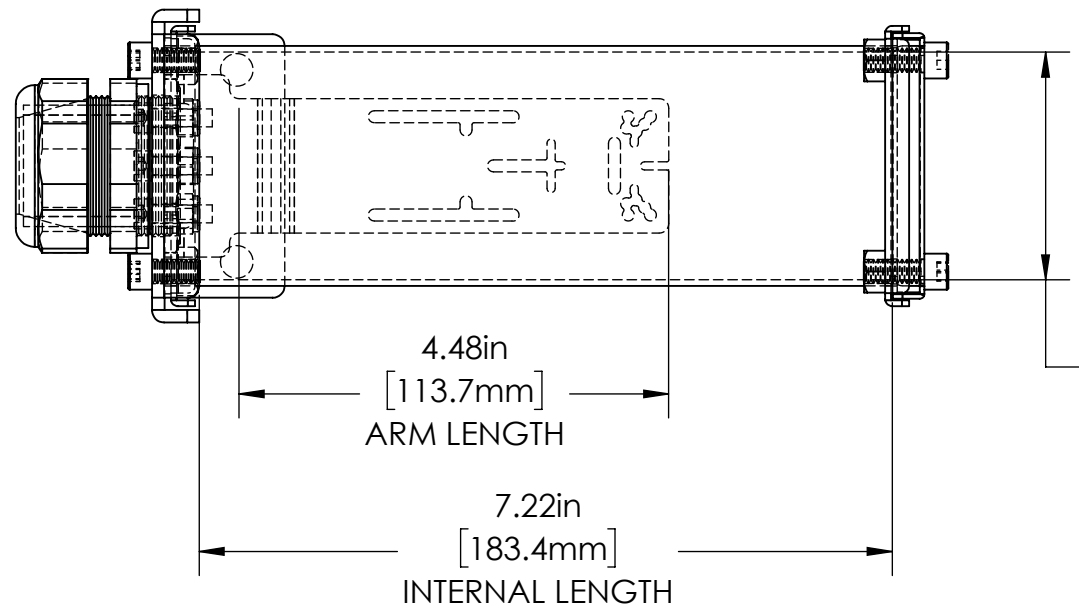
4

3

2

1

REVISIONS				
ZONE	REV.	DESCRIPTION	DATE	APPROVED
	A		7/30/2019	




**Pyramid Imaging**  
 Pyramid Imaging Inc  
 945 East 11th Avenue  
 Tampa, FL 33605  
<https://pyramidimaging.com>  
 Sales@pyramidimaging.com  
 (813) 984-0125


TOLERANCES UNLESS OTHERWISE SPECIFIED

MACHINING		SHEET METAL	
X.X	0.0250"	HOLE TO HOLE (SAME SURFACE)	X.X 0.030"
X.XX	0.0100"	X.XX	0.010"
X.XXX	0.0050"	X.XXX	0.005"
X.XXXX	0.0005"	X.XXX	0.015"
ANGULAR	0.5°	HOLE TO FOLDED EDGE	X.X 0.035"
DEBURR ALL		X.XX	0.025"
		X.XXX	0.015"
		FOLD TO FOLD	X.X 0.045"
		X.XX	0.035"
		X.XXX	0.020"
		ANGULAR	1.0°

⊕ (Symbol)  
ALL WEIGHTS ARE IN POUNDS

THIS PRINT IS THE PROPERTY OF ALLISON PARK GROUP. THE INFORMATION CONTAINED HEREIN IS CONFIDENTIAL. IT IS NOT TRANSFERABLE. IT IS FURNISHED WITH THE CLEAR UNDERSTANDING THAT IT IS NOT TO BE TRACED, REPRODUCED OR USED IN ANY PROCESS OF MANUFACTURING WITHOUT WRITTEN PERMISSION FROM THE OWNER AND IS RETURNABLE UPON DEMAND. ANY INFRINGEMENT UPON THE PATENT RIGHTS SHOWN HEREIN, WHETHER IN PART OR WHOLE, WILL BE PROSECUTED.

AS PART OF OUR POLICY OF CONTINUING DEVELOPMENT, ALLISON PARK GROUP RESERVES THE RIGHT TO ALTER SPECIFICATIONS WITHOUT PRIOR NOTICE.



Allison Park Group, Inc (APG)  
 4055 Alpha Drive  
 Allison Park, PA 15101 USA  
 Phone +1 (412) 487-8211  
[apgvision.com](http://apgvision.com)

DESCRIPTION:  
**25R-AK ENCLOSURE**

MATERIAL: SEE BOM

FINISH: SEE BOM

DRAWN BY: KENNEDY	DATE: 8/8/2019	SCALE: 1:2	SHT-SIZE: B	APPROX. WEIGHT: 0.4708
CHECKED BY:	DATE:	PART NUMBER: <b>25R-AK</b>	REVISION: A	

Sheet 1 of 1