



# Linea 16K Camera Link

Monochrome CMOS Line Scan Cameras

## High Performance, Low Cost



The new Linea™ line scan camera delivers the exceptional performance and features found in Teledyne DALSA's current lineup of high-end cameras at an unprecedented price point.

Based on the most advanced CMOS line scan technology, the camera employs a 16k single line 3.5 μm x 3.5 μm pixel array at a 48 kHz maximum line rate. With excellent sensitivity and speed, Linea surpasses the requirements of demanding applications—such as materials grading and inspection, transportation safety, and general purpose machine vision.

Linea is a compact, light weight and robust camera with many attractive features, including flat-field correction, multiple ROI and AOI, multiple user configuration sets, and calibration coefficients for various lighting conditions.

GenICam™ compliant Linea is easy to set up and integrate using a GUI, such as Teledyne DALSA's Sopera™ camera configuration utility CamExpert.

### Key Features

- High speed: up to 48 kHz
- 16,384 pixel resolution
- Low cost and compact
- Camera Link™ interface

### Programmability

- Multiple regions of interest and areas of interest for calibration and data reduction
- 8 or 12 bit output, selectable
- Smart flat field and lens shading correction
- 8 programmable coefficient sets

### Typical Applications

- Automated optical inspection
- Security systems
- High performance sorting systems
- Materials grading and inspection systems
- Web inspection
- General purpose machine vision

### Regulatory Compliance

- CE, FCC and RoHS

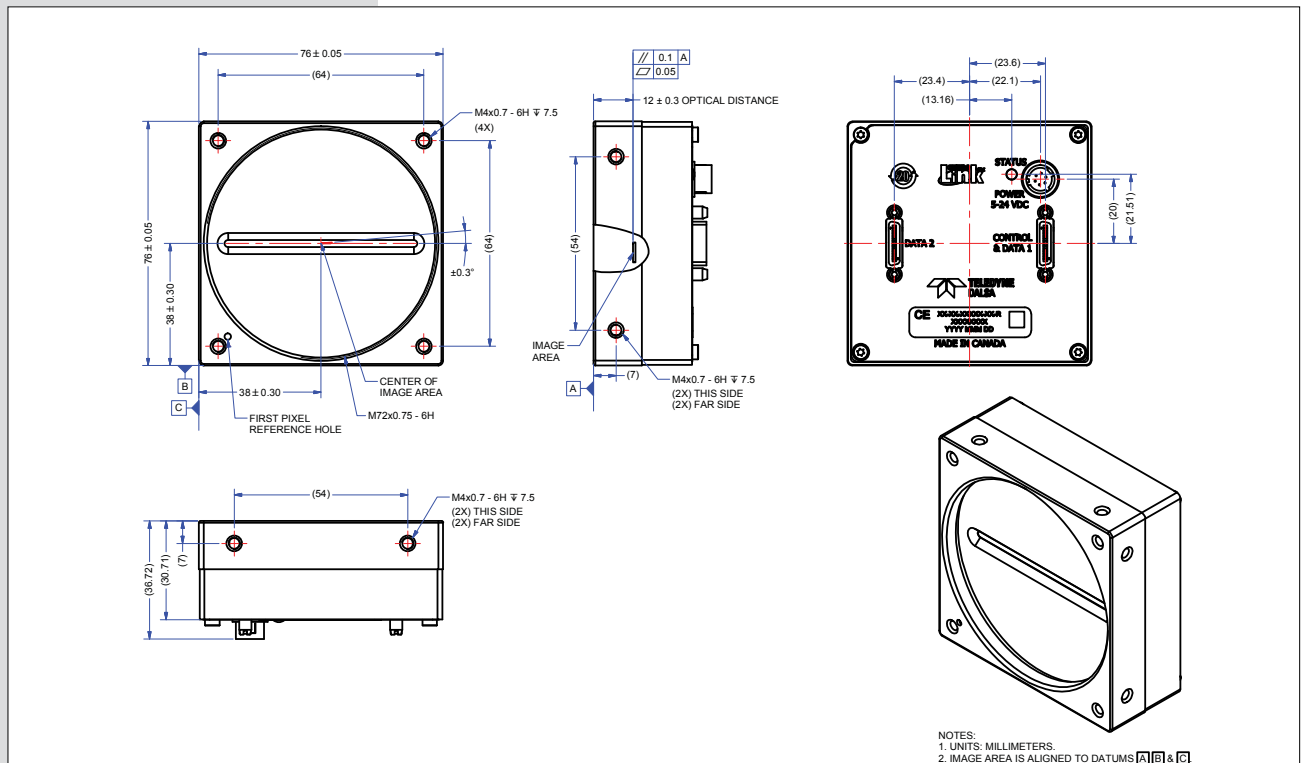
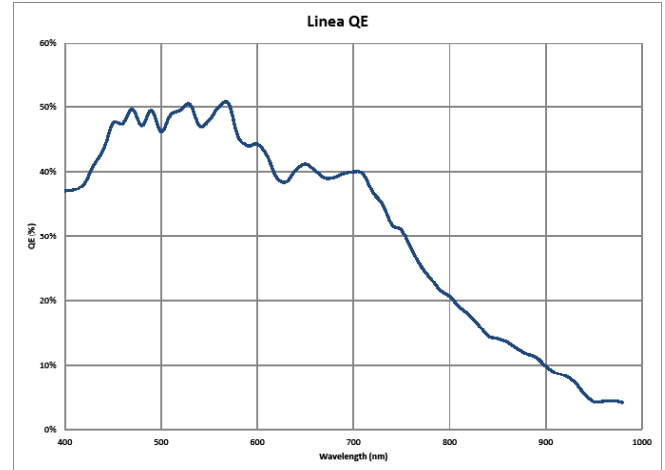
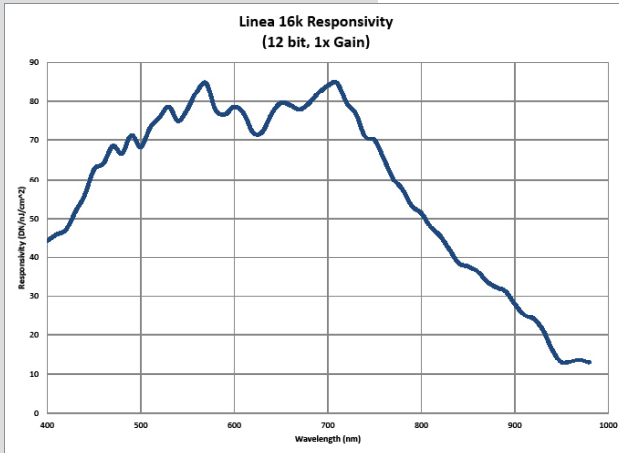
### Specifications

Resolution	16,384 pixels
Line Rate	48 kHz, maximum
Pixel Size	3.5 μm x 3.5 μm
Data Format	8 or 12 bit selectable
Output	Base, Medium, Full, and Deca Camera Link
Lens Mount	M72 x 0.75, F-mount adapter available
Responsivity	80 DN / (nJ / cm <sup>2</sup> ) in 12 bit @ 1x gain
Dynamic Range	> 60 dB
Nominal Gain Range	1x to 10x
Size	76.0 mm x 76.0 mm x 36.72 mm
Mass	< 360 g
Operating Temp	0 °C to +65 °C (front plate)
Power	+12 V to +24 V DC, Hirose 6-pin
Power Dissipation	< 11 W
Control & Data	SDR-26 mini Camera Link

Models			
Part Number	Resolution	Maximum Line Rates	Pixel Size
LA-CM-16K05A-00-R	16,384	48 kHz	3.5 μm x 3.5 μm

# Linea 16K Camera Link

Monochrome CMOS Line Scan Cameras



[www.teledynedalsa.com](http://www.teledynedalsa.com)

**Americas**  
 Boston, USA  
 +1 978-670-2000  
[sales.americas@teledynedalsa.com](mailto:sales.americas@teledynedalsa.com)

**Europe**  
 Krailling, Germany  
 +49 89-89-54-57-3-80  
[sales.europe@teledynedalsa.com](mailto:sales.europe@teledynedalsa.com)

**Asia Pacific**  
 Tokyo, Japan  
 +81 3-5960-6353  
[sales.asia@teledynedalsa.com](mailto:sales.asia@teledynedalsa.com)

Shanghai, China  
 +86 21-6427-9081  
[sales.asia@teledynedalsa.com](mailto:sales.asia@teledynedalsa.com)

Teledyne DALSA has its corporate offices in Waterloo, Canada  
 Teledyne DALSA reserves the right to make changes at any time without notice. Teledyne DALSA © 2016.  
 Revision number 03-070-20084-03. Revision date October 31, 2016.

