



30x Multi-Megapixel
Motorized
Zoom Lenses



BEYOND THE NEXT FRONTIER

NEW Multi-Megapixel Motorized 30x Zoom Lenses

Introducing the new lineup of Multi-Megapixel motorized zoom lenses designed for High-Definition surveillance applications.

Utilizing Kowa's advanced lens technology to incorporate "3-CAM Design" and XD (eXtra low Dispersion) glass, these Multi-Megapixel Motorized zoom lenses will pave the way for the possibilities of high end surveillance.

Megapixel 30x Zoom

LMZ0824AMPDC-XD

1/2" 8-240mm / F1.7
DC-Iris Motor Z/F Preset

LMZ1236AMPDC-XD

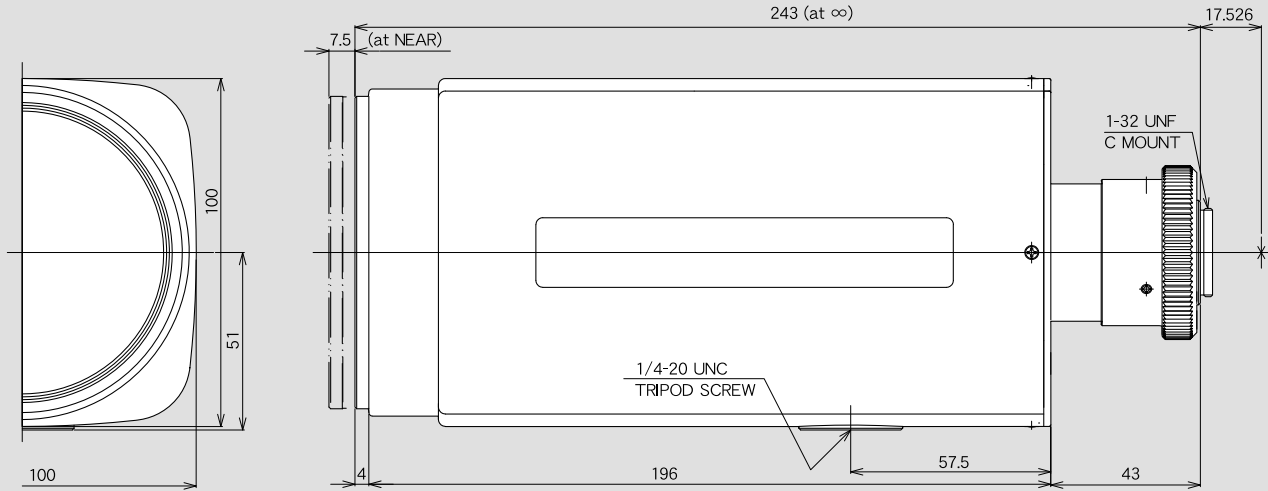
1/2" 12-360mm / F2.6
DC-Iris Motor Z/F Preset



Multi-Megapixel 30X Zoom

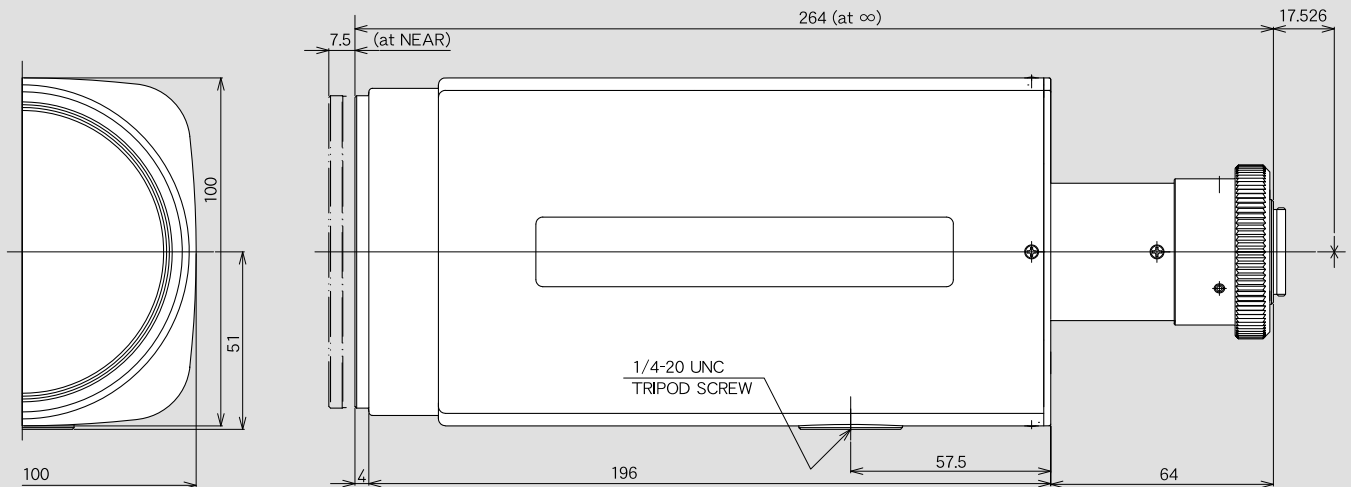
LMZ0824AMPDC-XD

1/2" 8~240mm / F1.7
DC-Iris Motor Z/F Preset



LMZ1236AMPDC-XD

1/2" 12~360mm / F2.6
DC-Iris Motor Z/F Preset



SPECIFICATION

Multi-Megapixel 30x Motorized Zoom Lenses

Model No.	LMZ0824AMPDC-XD	LMZ1236AMPDC-XD
Format Size	1/2" (Designed by 1/1.8")	1/2" (Designed by 1/1.8")
Focal Length (mm)	8 – 240	12 – 360
Relative Aperture (F)	1.7 – 360	2.6 – 360
Iris	DC (or Video)	DC (or Video)
Horizontal Angle (°)	43.5 – 1.56	29.4 – 1.05
Minimum Object Distance (m)	1.8	1.8
Mount	C	C
Size (mm)	100 (H) x 100 (W) x 243 (L)	100 (H) x 100 (W) x 264 (L)
Weight (g)	1,690	1,730

Pyramid Imaging Inc
945 East 11th Avenue
Tampa, FL 33605
<https://pyramidimaging.com>
Sales@pyramidimaging.com
(813) 984-0125