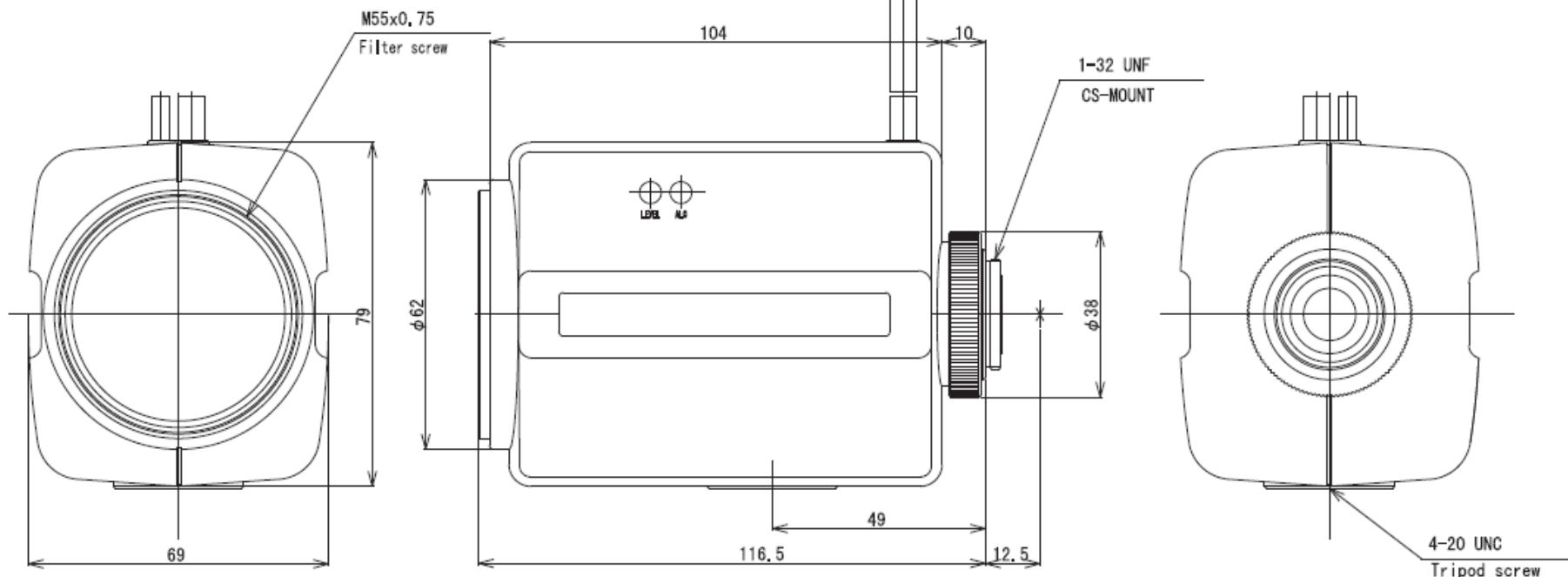


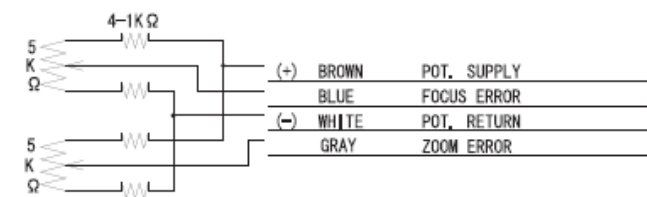


Pyramid Imaging Inc
 945 East 11th Avenue
 Tampa, FL 33605
<https://pyramidimaging.com>
Sales@pyramidimaging.com
 (813) 984-0125



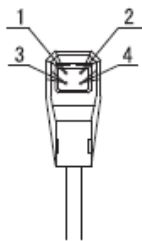
1 IRIS CABLE	(+) RED	INPUT VOLTAGE
	(-) BLACK	GROUND
	WHITE	VIDEO SIGNAL
	GREEN	REMOTE CONTROL

2 MOTOR CABLE	(+) GREEN	FOCUS NEAR
	(+) BLACK	FOCUS FAR
	(+) YELLOW	ZOOM IN
	(+) RED	ZOOM OUT



SPECIFICATION			
1. USE	FOR 1/3" COLOR B/W CAMERA		
2. FOCAL LENGTH	f= 6 ~ 90 mm		
3. IRIS RANGE	F= 1.6 ~ 360		
4. IMAGE SIZE	φ 6 (4.8 x 3.6)		
5. BACK FOCAL LENGTH	9.55 mm in air		
6. FLANGE FOCAL LENGTH	12.5 mm in air		
7. FOCUS RANGE	∞ ~ 1.2 m		
8. FIELD ANGLE	DIA.	(W)	(T)
	HOR.	54.2 °	3.9 °
	VER.	33.5 °	2.4 °
9. FIELD OF VIEW AT I.L.O.D.	DIA.	1,145.6 mm	78.0 mm
	HOR.	914.6 mm	62.4 mm
	VER.	682.0 mm	46.8 mm
10. DISTORTION	-0.7 % +0.05 %		
11. LENS CONSTRUCTION	11 GROUPS 14 ELEMENTS		
12. CLEAR APERTURE	FRONT	φ 46	REAR φ 10.6
13. EXIT PUPIL POSITION	-113 mm (format)		
14. WEIGHT	530 g (550 g)		

DC (DIRECT CONTROL)		
DRIVE COIL	RESISTOR	190 Ω (20° C)
	COLOR	RED(+) 4pin BLACK 3pin
BRAKE COIL	RESISTOR	1150 Ω (20° C)
	COLOR	YELLOW(+) 2pin GREEN 1pin
DRIVE VOLT.	OPEN	LESS THAN +4V
	CLOSE	OVER THAN 0V
		RETRACING SPRING



F1.6/6~90mm	
LMZ110AMR	AMPR
LMZ110AMRDC	AMPRDC