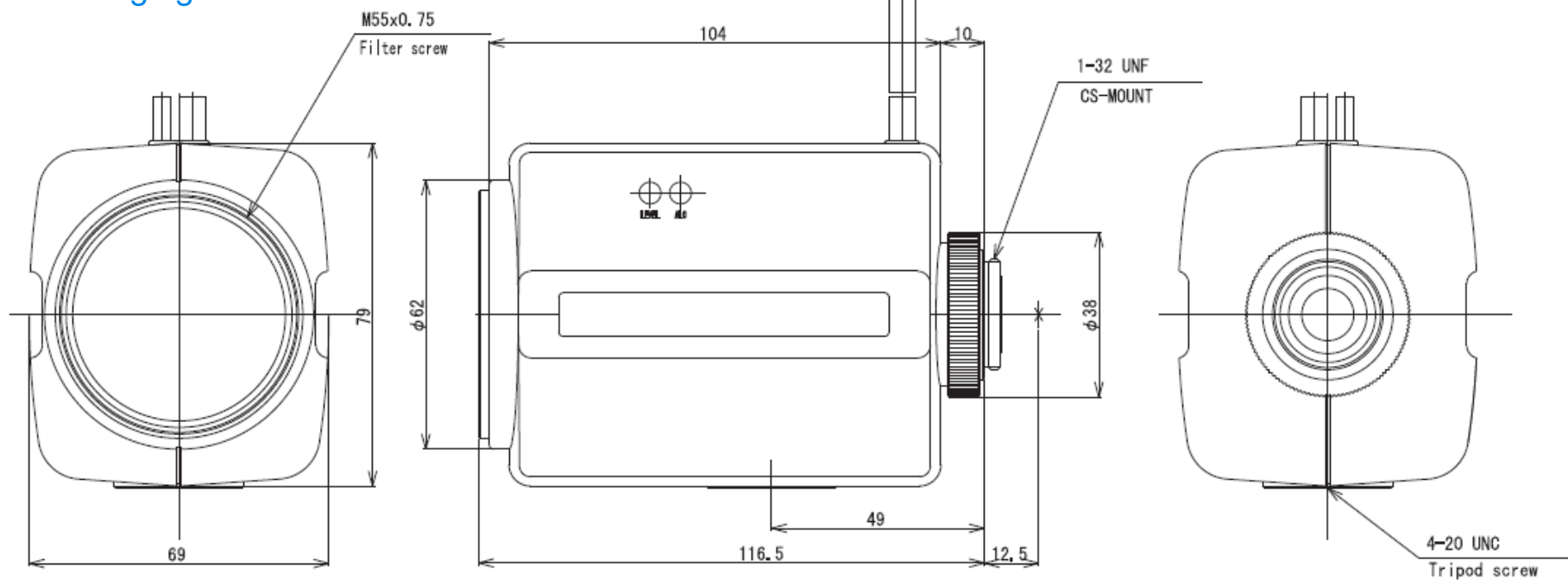




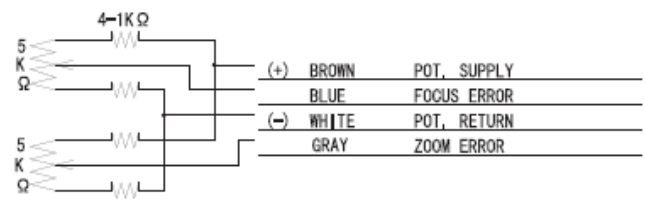
Pyramid Imaging Inc  
 945 East 11th Avenue  
 Tampa, FL 33605  
<https://pyramidimaging.com>  
[Sales@pyramidimaging.com](mailto:Sales@pyramidimaging.com)  
 (813) 984-0125



| ① IRIS CABLE | (+) RED   | INPUT VOLTAGE  |
|--------------|-----------|----------------|
|              | (-) BLACK | GROUND         |
|              | WHITE     | VIDEO SIGNAL   |
|              | GREEN     | REMOTE CONTROL |

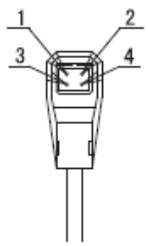
  

| ② MOTOR CABLE | (+) GREEN  | FOCUS NEAR |
|---------------|------------|------------|
|               | (+) BLACK  | FOCUS FAR  |
|               | (+) YELLOW | ZOOM IN    |
|               | (+) RED    | ZOOM OUT   |



| SPECIFICATION              |                                  |
|----------------------------|----------------------------------|
| 1. USE                     | FOR 1/3" COLOR, B/W CAMERA       |
| 2. FOCAL LENGTH            | f= 6 ~ 60 mm                     |
| 3. IRIS RANGE              | F=1.6 ~ 360                      |
| 4. IMAGE SIZE              | $\phi 6$ (4.8 x 3.6)             |
| 5. BACK FOCAL LENGTH       | 9.55 mm in air                   |
| 6. FLANGE FOCAL LENGTH     | 12.5 mm in air                   |
| 7. FOCUS RANGE             | $\infty \sim 1.2$ m              |
| 8. FIELD ANGLE             | DIA. (W) 54.3° (T) 5.8°          |
|                            | HOR. 44.2° 4.7°                  |
|                            | VER. 33.5° 3.5°                  |
| 9. FIELD OF VIEW AT N.O.D. | DIA. 1,145.6 mm 116.4 mm         |
|                            | HOR. 914.6 mm 93.0 mm            |
|                            | VER. 682.0 mm 69.7 mm            |
| 10. DISTORTION             | -0.7% -0.05%                     |
| 11. LENS CONSTRUCTION      | 11 GROUPS 14 ELEMENTS            |
| 12. CLEAR APERTURE         | FRONT $\phi 46$ REAR $\phi 10.6$ |
| 13. EXIT PUPIL POSITION    | -113 mm (format)                 |
| 14. WEIGHT                 | 530 g (550 g)                    |

| DC (DIRECT CONTROL) |             |  |
|---------------------|-------------|--|
| DRIVE COIL          | RESISTOR    | 190 $\Omega$ (20° C)   |
|                     | COLOR       | RED (+) 4pin<br>BLACK 3pin                                   |
| BRAKE COIL          | RESISTOR    | 1150 $\Omega$ (20° C)  |
|                     | COLOR       | YELLOW (+) 2pin<br>GREEN 1pin                                |
|                     | DRIVE VOLT. | OPEN LESS THAN +4V<br>CLOSE OVER THAN 0V<br>W/CLOSING SPRING |



|                |        |
|----------------|--------|
| F1.6/6 ~ 60 mm |        |
| LMZ111AMR      | AMPR   |
| LMZ111AMRDC    | AMPRDC |