

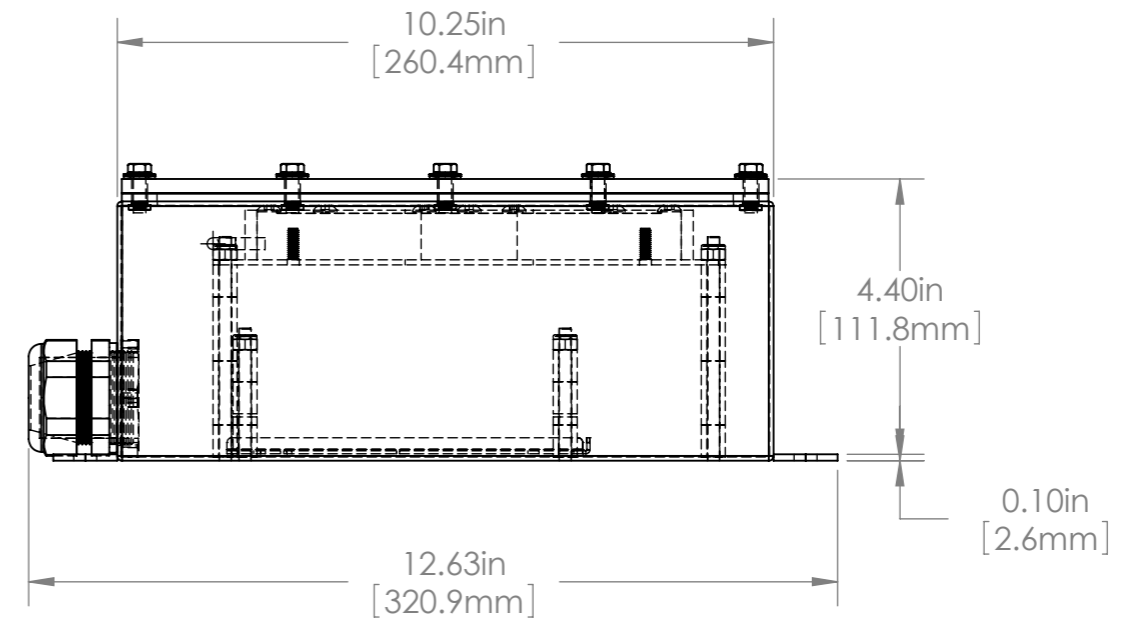
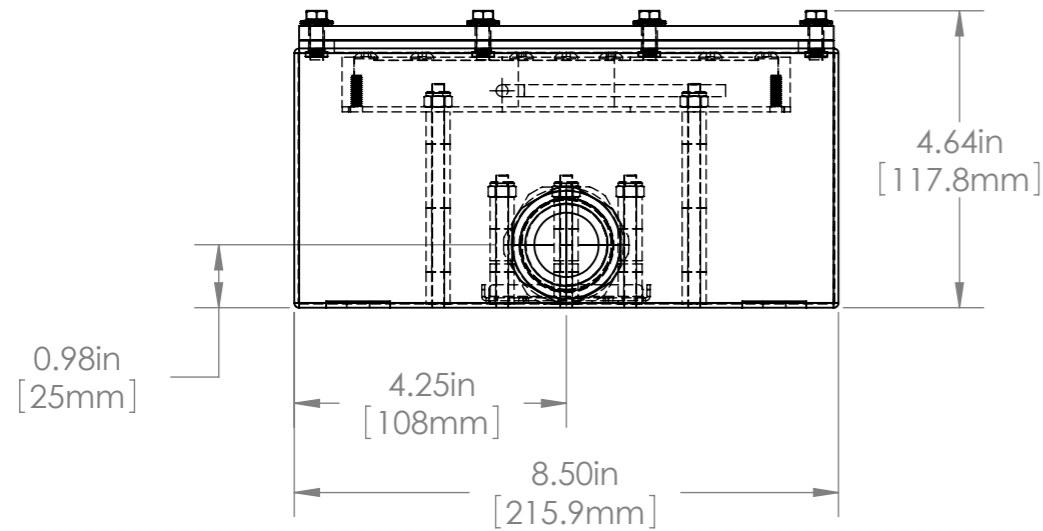
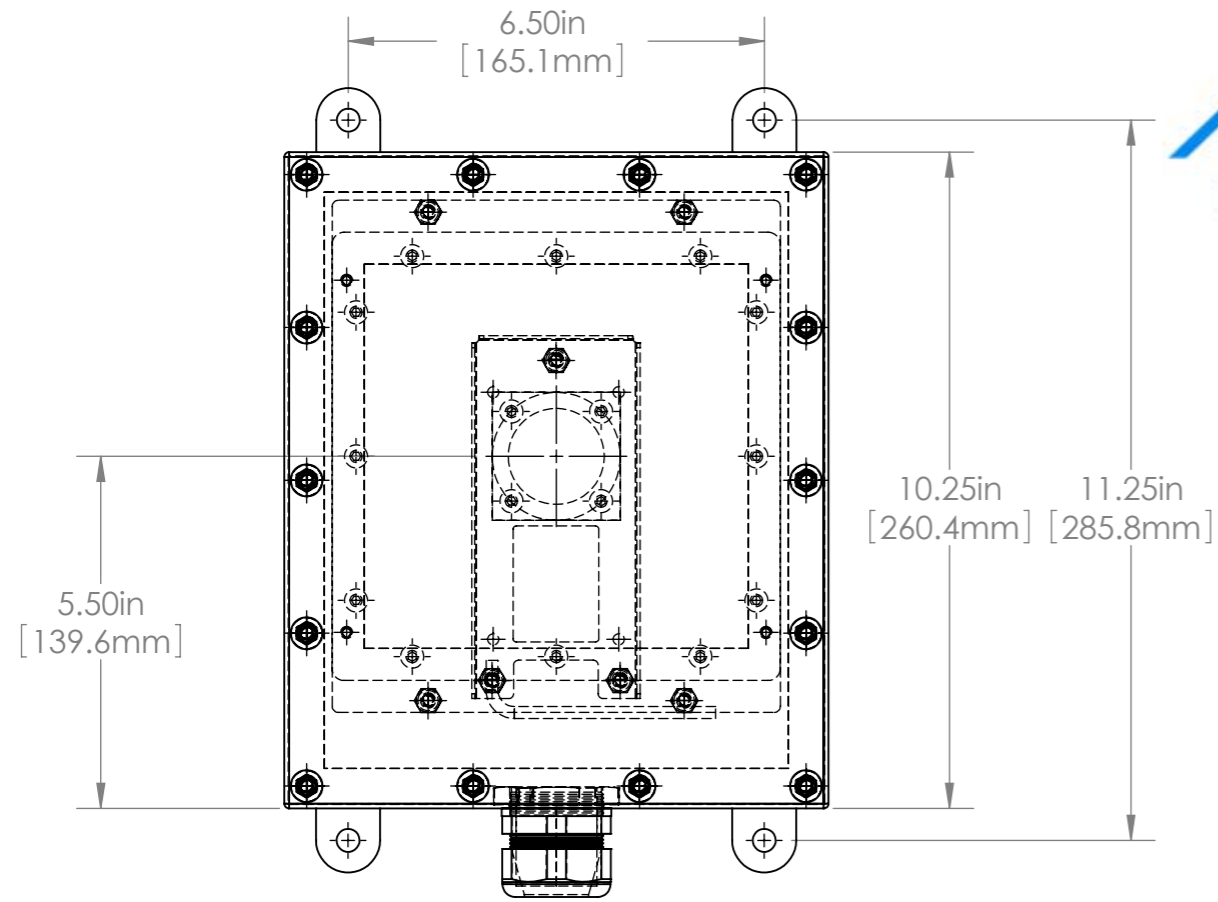
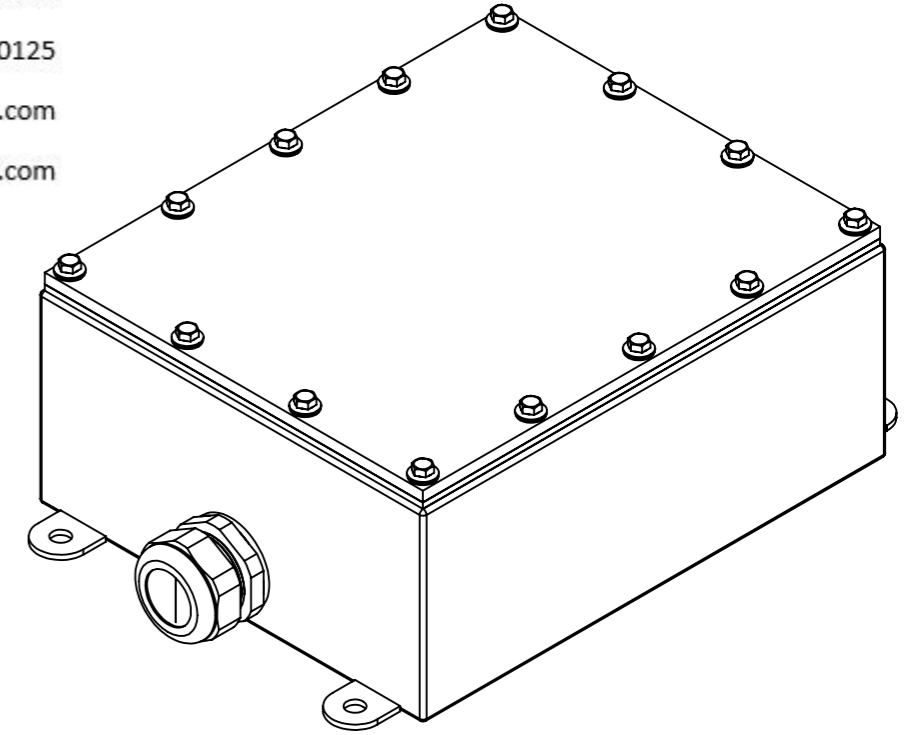


945 East 11th Avenue Tampa, FL 33605

Phone: (813) 984-0125

Contact: Sales@pyramidimaging.com

<https://pyramidimaging.com>



				UNLESS OTHERWISE SPECIFIED: DIMENSIONS ARE IN INCHES SURFACE FINISH: TOLERANCES: .000= +/- 0.005" .00= +/- 0.010"		FINISH: DEBUR AND BREAK SHARP EDGES		Allison Park Group, Inc. (APG) 4055 Alpha Drive Allison Park, PA 15101 USA		DO NOT SCALE DRAWING		REVISION	
				LINEAR:				Phone +1 (412) 487-8211 Fax +1 (412) 486-3157		This document is the property of APG and is considered company confidential. The information in this document is the property of APG and may not be used, reproduced, or distributed in whole or in part without the prior written permission of APG		TITLE:	
				DRAWN		NAME		www.apgvision.com		SL-AB ASSY DIMS			
				CHK'D		SIGNATURE		MATERIAL:		DWG NO.		A3	
				APPVD		DATE		316 Stainless Steel		SCALE:1:5		SHEET 1 OF 1	
				MFG				WEIGHT:					
				Q.A									
				NOTES:									
NO.	CHANGE	DATE	INIT.										