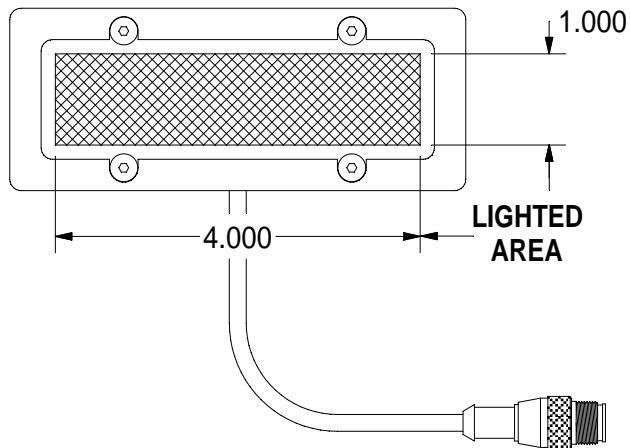
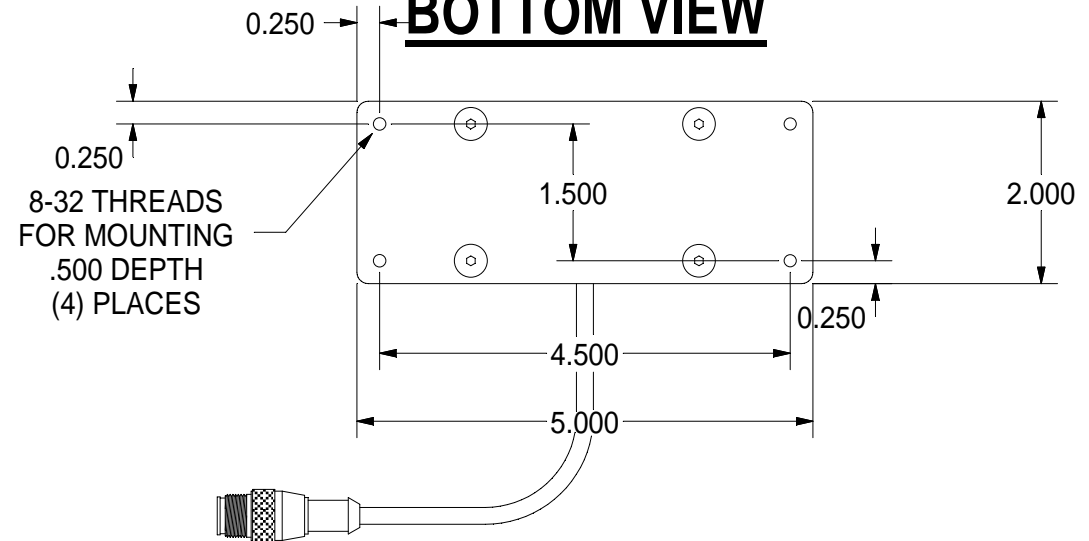


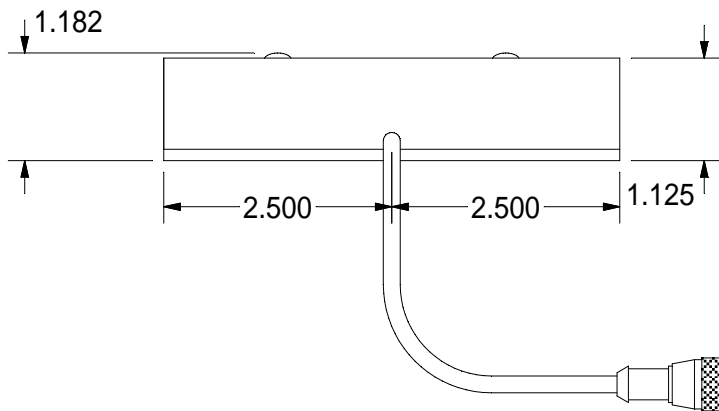
## TOP VIEW



## BOTTOM VIEW



## SIDE VIEW



## LA14 MOUNT SPECIFICATIONS

### STANDARD EUROFAST 4-PIN (MALE) CONNECTOR

PIN 1 (+24VDC / BROWN)

PIN 3 (GROUND / BLUE)

PIN 4 (+24VDC / BLACK) STROBE/CONT.



**Pyramid Imaging**

Pyramid Imaging Inc  
945 East 11th Avenue  
Tampa, FL 33605  
<https://pyramidimaging.com>  
[Sales@pyramidimaging.com](mailto:Sales@pyramidimaging.com)  
(813) 984-0125