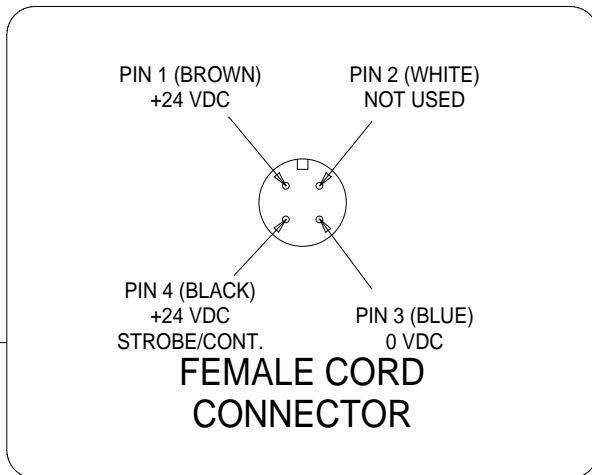
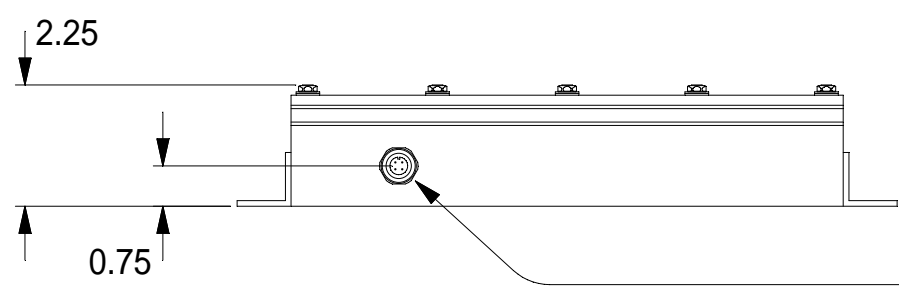


HOUSING AND FASTENERS ARE 316 STAINLESS STEEL.

RUBBER SEALS ARE FDA COMPLIANT RUBBER.



Pyramid Imaging Inc  
 945 East 11th Avenue  
 Tampa, FL 33605  
<https://pyramidimaging.com>  
[Sales@pyramidimaging.com](mailto:Sales@pyramidimaging.com)  
 (813) 984-0125

# WBL48 MOUNT SPECIFICATIONS