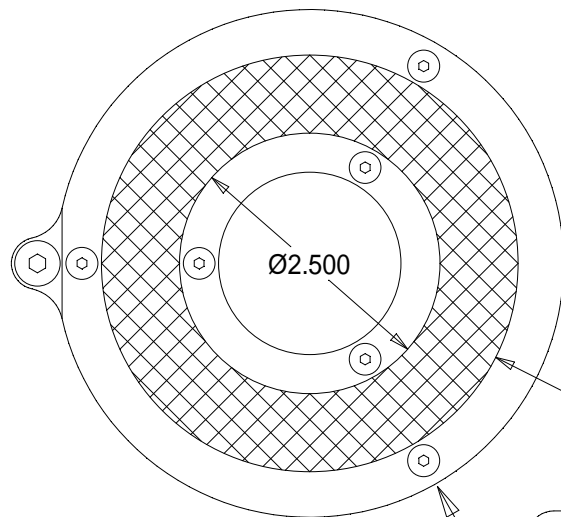




Pyramid Imaging Inc
945 East 11th Avenue
Tampa, FL 33605
<https://pyramidimaging.com>
Sales@pyramidimaging.com
(813) 984-0125

TOP VIEW



$\text{Ø}4.875\pm0.010$

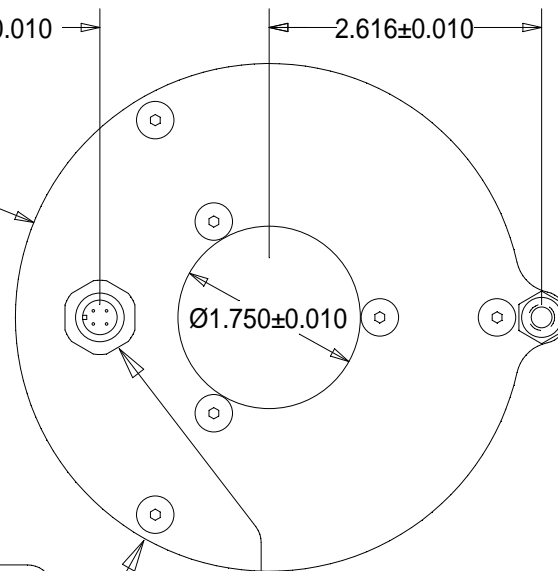
$\text{Ø}4.000$
LIGHTED AREA

THE FRONT PLATES AND
BACK PLATE ARE 316 SS

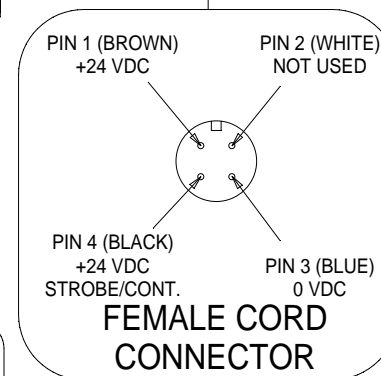
BOTTOM VIEW

1.625 ± 0.010

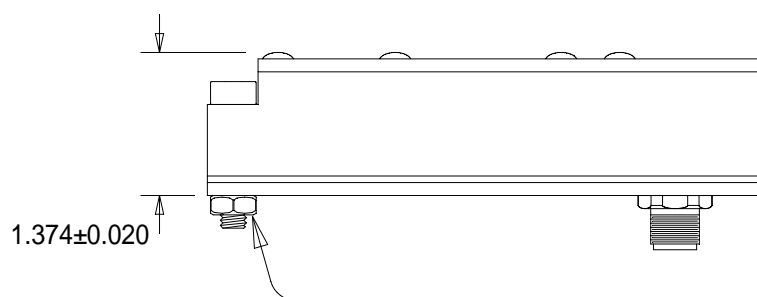
2.616 ± 0.010



$\text{Ø}1.750\pm0.010$



SIDE VIEW



1.312 ± 0.020

1.374 ± 0.020

WHITE DELRIN
HOUSING

316 SS 1/4-20
STUD AND NUT
FOR MOUNTING

WRL4 MOUNT SPECIFICATIONS