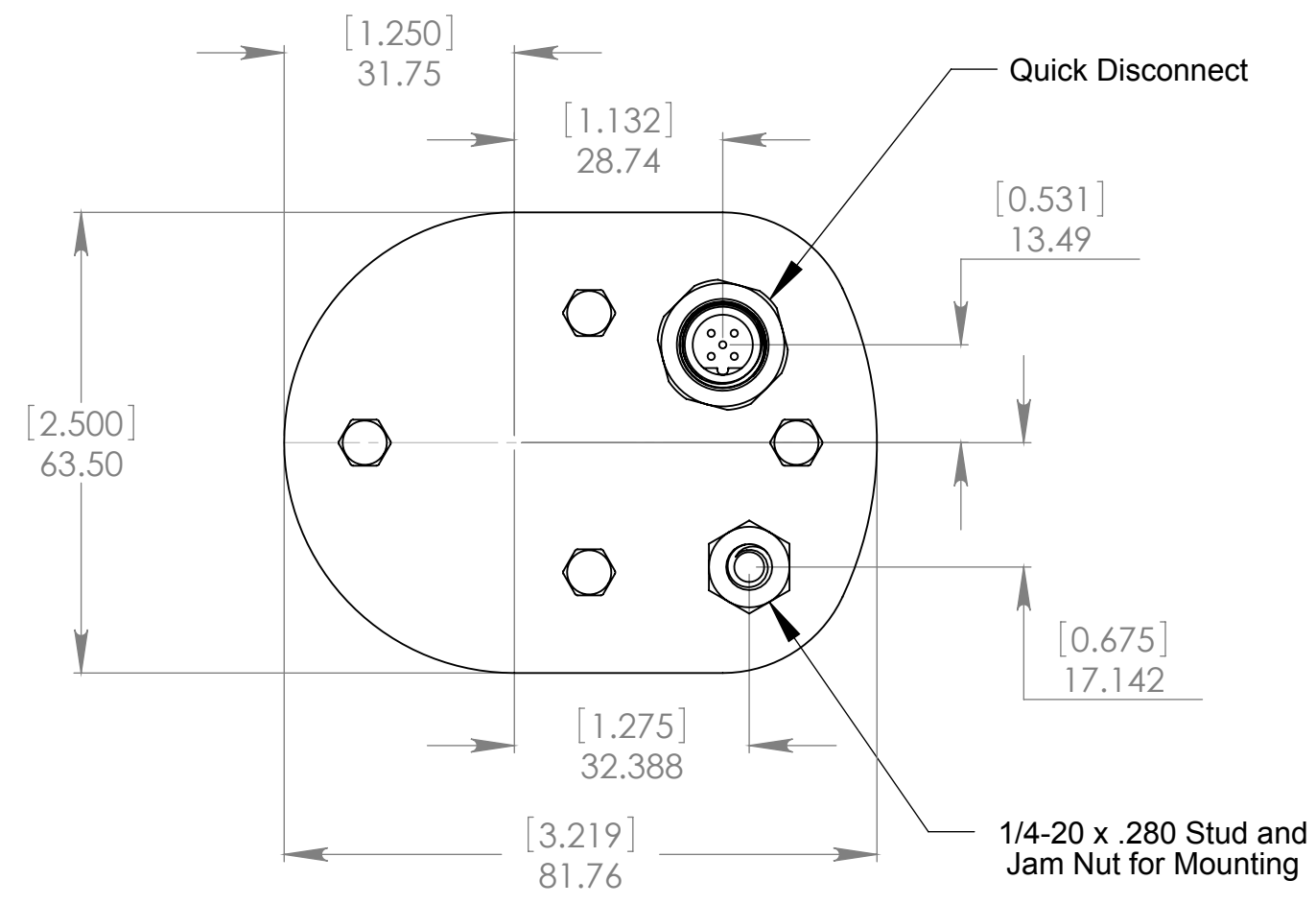
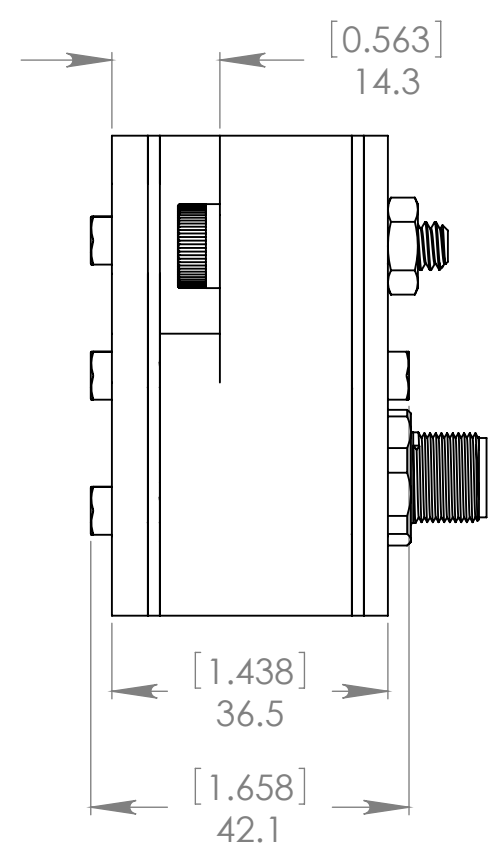
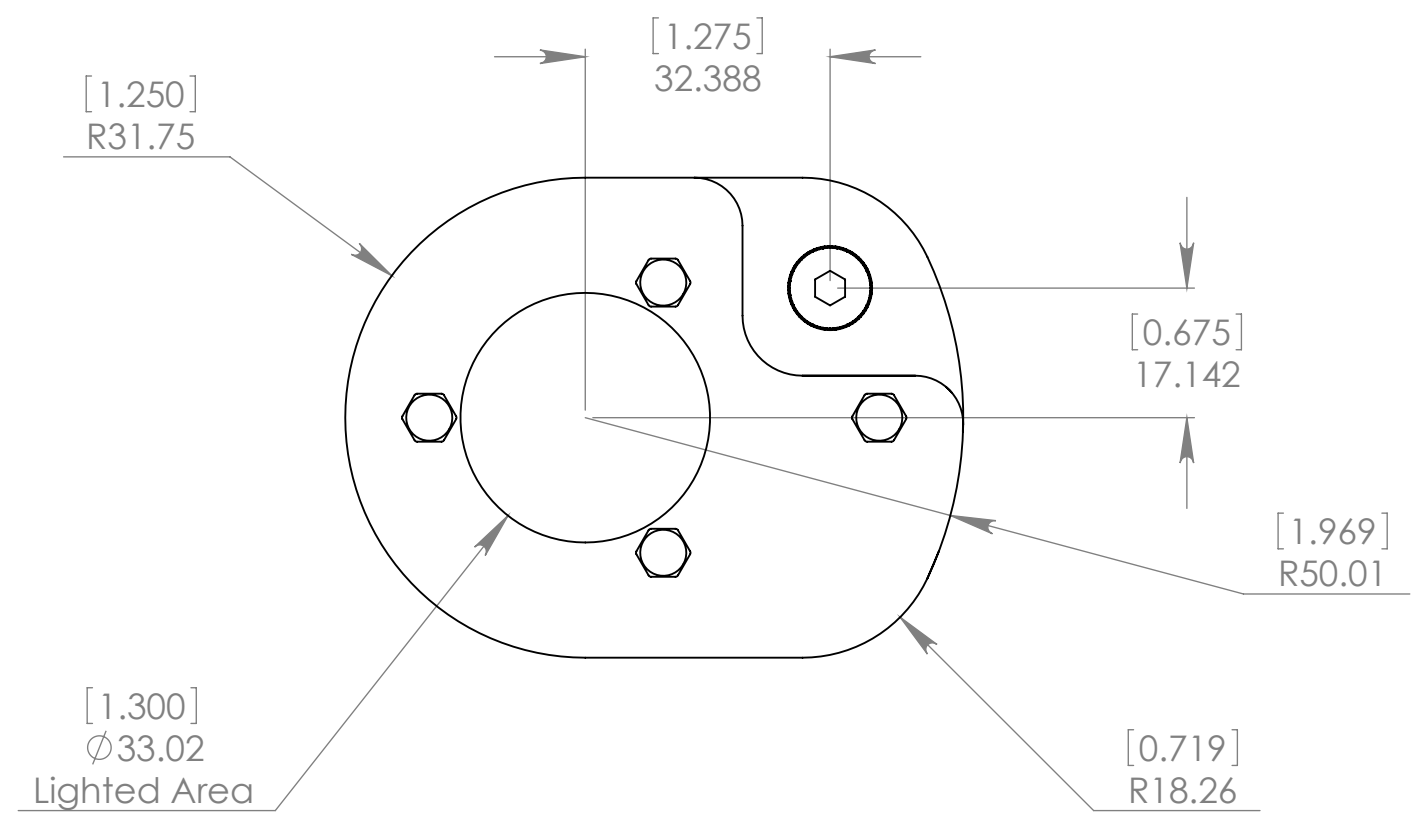


Pyramid Imaging

Pyramid Imaging Inc
 945 East 11th Avenue
 Tampa, FL 33605
<https://pyramidimaging.com>
 Sales@pyramidimaging.com
 (813) 984-0125



Housing Material: FDA Compliant White Delrin
 Gaskets: FDA Compliant Silicone
 Fasteners: 316 Stainless Steel
 Quick Disconnect: 316 Stainless Steel

PROPRIETARY AND CONFIDENTIAL
 THE INFORMATION CONTAINED IN THIS DRAWING IS THE SOLE PROPERTY OF SPECTRUM ILLUMINATION COMPANY INC. ANY REPRODUCTION IN PART OR AS A WHOLE WITHOUT THE WRITTEN PERMISSION OF SPECTRUM ILLUMINATION COMPANY INC. IS PROHIBITED.

UNLESS OTHERWISE SPECIFIED:		NAME	DATE
DIMENSIONS ARE IN MILLIMETERS / [INCHES]		DRAWN	DDM 1/6/2010
TOLERANCES:		CHECKED	
ANGULAR: MACH ± BEND ±		ENG APPR.	
ONE PLACE DECIMAL ±1.0mm		MFG APPR.	
TWO PLACE DECIMAL ±0.5mm		Q.A.	
THREE PLACE DECIMAL ±0.25mm		COMMENTS:	
INTERPRET GEOMETRIC TOLERANCING PER:			
MATERIAL			
FINISH			
DO NOT SCALE DRAWING			

SIZE	DWG. NAME	REV
B	WSP1.25 Complete	A
SCALE: 1:1	WEIGHT:	SHEET 1 OF 1

SPECTRUM ILLUMINATION
 5114 INDUSTRIAL PARK RD.
 MONTAGUE, MI 49437