



sensor information

sensor	ams (CMOSIS) CMV8000
resolution	3360 × 2496 px
exposure time	0,04 ... 1000 ms
pixel size	5.5 × 5.5 μm
shutter type	Global shutter
sensor type	4/3" CMOS

acquisition formats

image formats, interface	Full Frame, 3360 × 2496 px, max. 29 fps
frame rate max.	Binning 2×2, 1680 × 1248 px, max. 29 fps Binning 1×2, 3360 × 1248 px, max. 29 fps Binning 2×1, 1680 × 2496 px, max. 29 fps
image formats, acquisition	Full Frame, 3360 × 2496 px, max. 61 fps
frame rate max. (Burst Mode)	
pixel formats	Mono8 Mono12 Mono12 Packed

image preprocessing

analog controls	Gain (0 ... 12 dB) Offset (0 ... 255 LSB 12 Bit)
color models	Mono

interfaces and connectors

data interface	Dual Gigabit Ethernet, Transfer rate 2000 Mbits/sec, Connector: 2 x 8P8C Modular Jack (RJ45), screwable type
process interface	M8 / 8 pins
power supply	M8 / 8 pins

mechanical data

lens mount	M58-mount (F-mount, M42, C-mount via adapter)
width	60 mm
height	60 mm
depth	54,25 mm

mechanical data

weight	≤ 290 g (M58-mount)
material	housing: aluminum

electrical data

voltage supply	12 ... 24 V DC (external power supply)
range +Vs	36 ... 57 V DC (Power over Ethernet)
power consumption	approx. 7,2 W @ 24 VDC approx. 7,2 W @ 48 VDC (PoE)

non-volatile memory

flash memory size	128 kB
-------------------	--------

environmental conditions

operating temperature	+5 ... +66 °C @ T = measurement point
humidity	10 ... 90 % (non-condensing)
protection class	IP 40

conformity

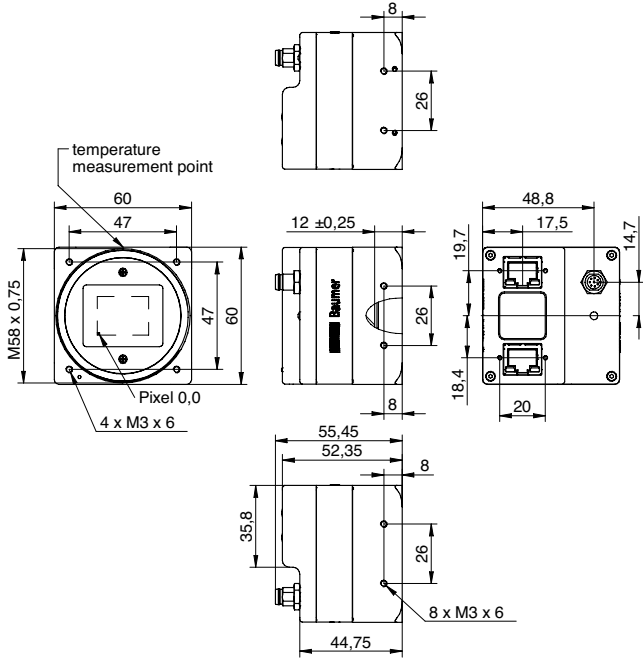
conformity	CE RoHS EAC
------------	-------------------

LXG-80M

Dual GigE, 8 Megapixel, Monochrome

Article number: 11125117

dimension drawing



945 East 11th Avenue Tampa, FL 33605

Phone: (813) 984-0125

Contact: Sales@pyramidimaging.com

<https://pyramidimaging.com>