



GIG
VISION **GEN<i>i>CAM**



sensor information

sensor	ON Semiconductor PYTHON 25K
resolution	5120 × 5120 px
exposure time	0,03 ... 1000 ms
pixel size	4.5 × 4.5 µm
shutter type	Global shutter
sensor type	APS-H CMOS

acquisition formats

image formats, interface	Full Frame, 5120 × 5120 px, max. 9 fps Binning 2×2, 2560 × 2560 px, max. 9 fps
frame rate max.	Binning 1×2, 5120 × 2560 px, max. 9 fps Binning 2×1, 2560 × 5120 px, max. 9 fps
image formats, acquisition frame rate max. (Burst Mode)	Full Frame, 5120 × 5120 px, max. 32 fps
pixel formats	Mono8 Mono10 Mono10 Packed

image preprocessing

analog controls	Gain (0 ... 23,5 dB) Offset (0 ... 63 LSB 10 Bit)
-----------------	--

color models	Mono
--------------	------

interfaces and connectors

data interface	Dual Gigabit Ethernet, Transfer rate 2000 Mbits/sec, Connector: 2 x 8P8C Modular Jack (RJ45), screwable type
process interface	M8 / 8 pins
power supply	M8 / 8 pins

mechanical data

lens mount	M58-mount (F-mount, M42, C-mount via adapter)
width	60 mm
height	60 mm
depth	56,32 mm

mechanical data

weight	≤ 320 g (M58-mount)
material	housing: aluminum

electrical data

voltage supply	12 ... 24 V DC (external power supply)
range +Vs	36 ... 57 V DC (Power over Ethernet)
power consumption	approx. 5,4 W @ 24 VDC (sequential readout) approx. 7,6 W @ 48 VDC (PoE, sequential readout)

non-volatile memory

flash memory size	128 kB
-------------------	--------

environmental conditions

operating temperature	+5 ... +68 °C @ T = measurement point
humidity	10 ... 90 % (non-condensing)
protection class	IP 40

conformity

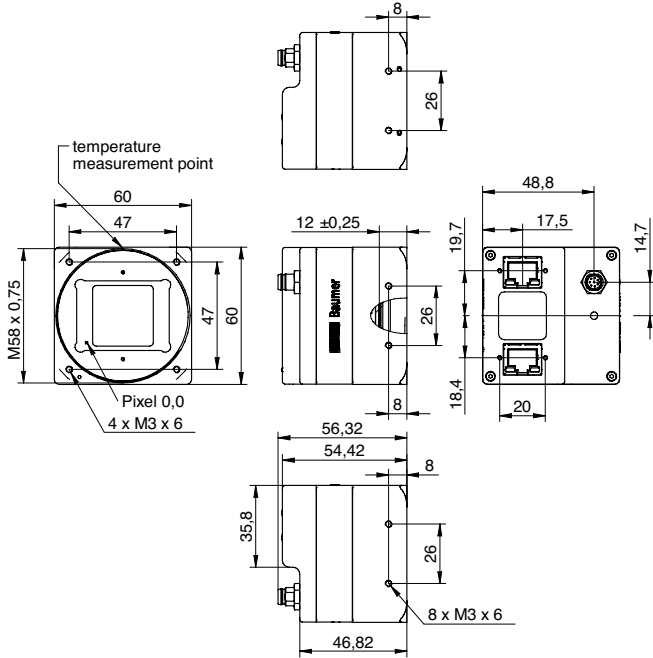
conformity	CE KC (R-REI-BkR-LXG-250M) RoHS EAC
------------	--

LXG-250M

Dual GigE, 25 Megapixel, Monochrome

Article number: 11150444

dimension drawing



945 East 11th Avenue Tampa, FL 33605

Phone: (813) 984-0125

Contact: Sales@pyramidimaging.com

<https://pyramidimaging.com>