



sensor information

sensor	ams (CMOSIS) CMV50000
resolution	7920 × 6004 px
exposure time	0,1 ... 1000 ms
pixel size	4.6 × 4.6 µm
shutter type	Global shutter
sensor type	35 mm CMOS

acquisition formats

image formats, interface	Full Frame, 7920 × 6004 px, max. 15 fps Binning 2×2, 3960 × 3002 px, max. 15 fps
frame rate max.	Binning 1×2, 7920 × 3002 px, max. 15 fps Binning 2×1, 3960 × 6004 px, max. 15 fps
pixel formats	Mono8 Mono12

image preprocessing

analog controls	Gain (0 ... 18 dB) Offset (0 ... 255 LSB 12 Bit)
color models	Mono

interfaces and connectors

data interface	Camera Link® Full, connector: 2 x Standard SDR26 (Mini CL)
process interface	M8 / 8 pins
power supply	M8 / 8 pins

mechanical data

lens mount	M58-mount (F-mount, M42, C-mount via adapter)
width	60 mm
height	60 mm
depth	50,02 mm
weight	≤ 235 g (M58-mount)
material	housing: aluminum

electrical data

voltage supply	12 ... 24 V DC (external power supply)
range +Vs	38 ... 57 V (PoCL)

electrical data

power consumption	approx. 10 W @ 24 VDC (sequential readout) approx. 12 W @ 12 VDC (PoCL)
-------------------	--

non-volatile memory

flash memory size	128 kB
-------------------	--------

environmental conditions

operating temperature	+5 ... +60 °C @ T = measurement point
humidity	10 ... 90 % (non-condensing)
protection class	IP 40

conformity

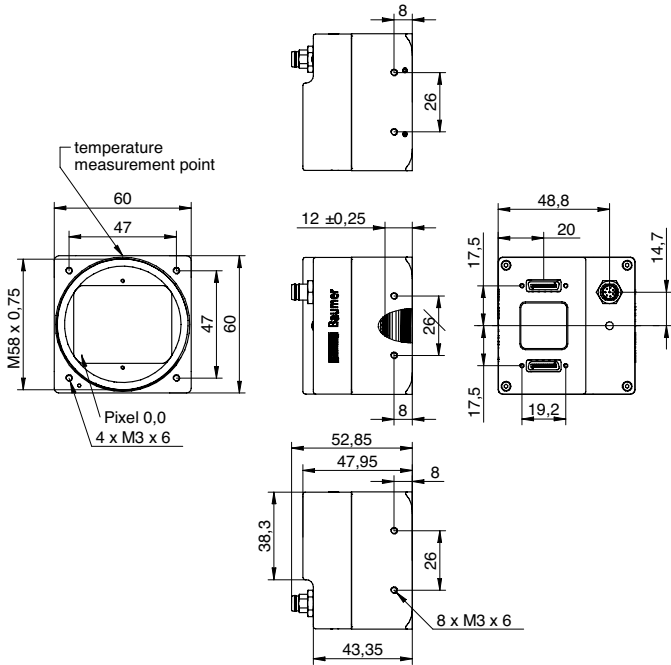
conformity	CE RoHS EAC
------------	-------------------

LXC-500M

Camera Link®, 48 Megapixel, Monochrome

Article number: 11188975

dimension drawing



945 East 11th Avenue Tampa, FL 33605

Phone: (813) 984-0125

Contact: Sales@pyramidimaging.com

<https://pyramidimaging.com>