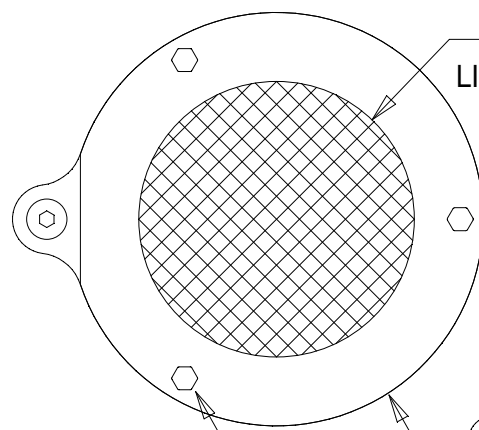


Pyramid Imaging

Pyramid Imaging Inc
945 East 11th Avenue
Tampa, FL 33605
<https://pyramidimaging.com>
Sales@pyramidimaging.com
(813) 984-0125

TOP VIEW

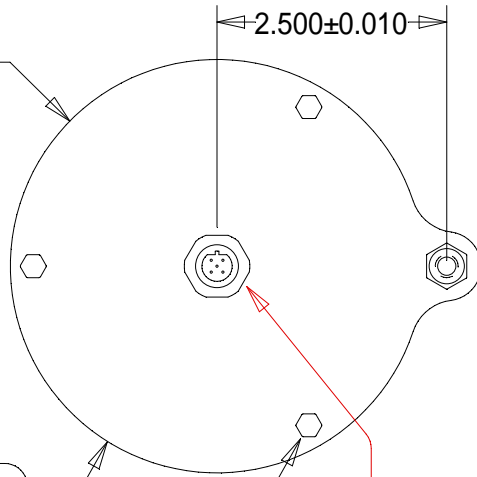


Ø3.000
LIGHTED AREA
Ø4.500±0.010

THE FRONT PLATE AND
BACK PLATE ARE 316 SS

316 SS HEX BOLTS
FOR LIGHT ASSEMBLY

BOTTOM VIEW

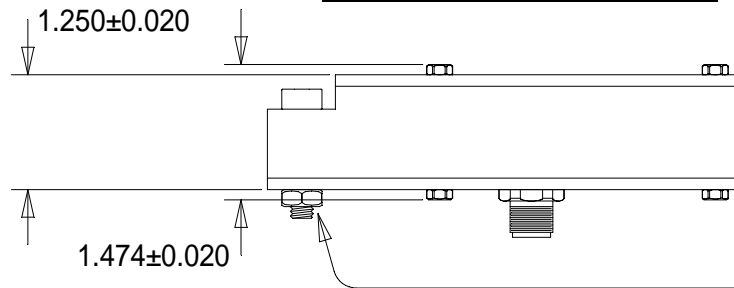


5-PIN REVERSE KEYPED 316 SS
EUROFAST CONNECTOR

WARNING!!!

DO NOT CONNECT LIGHT
TO 24VDC. USE ONLY
SPECTRUM ILLUMINATION
LED DRIVER MODULE (LDM).
FAILURE TO DO SO WILL
RESULT IN PREMATURE
LED BURNOUT AND WILL
VOID THE WARRANTY.

SIDE VIEW



WHITE DELRIN
HOUSING

316 SS 1/4-20
STUD AND NUT
FOR MOUNTING

WSP3.25 MOUNT SPECIFICATIONS