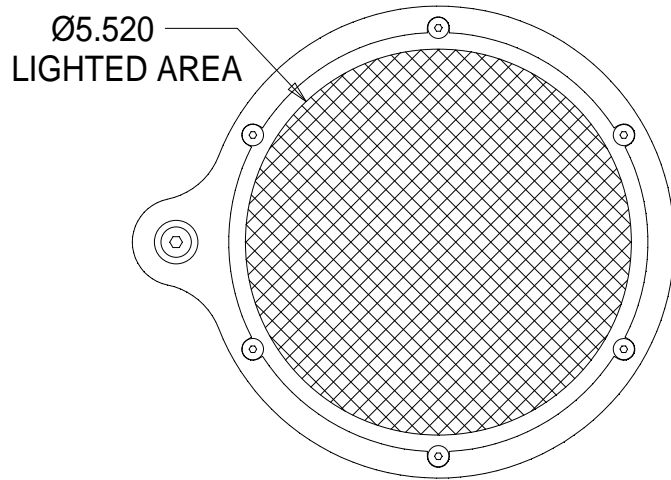
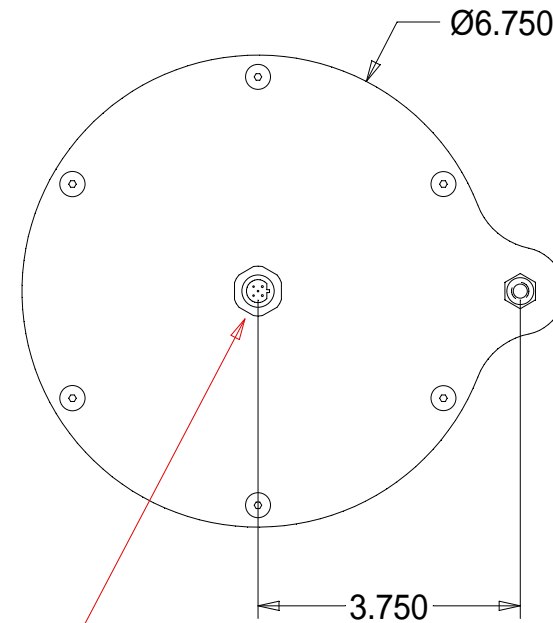


## FRONT VIEW

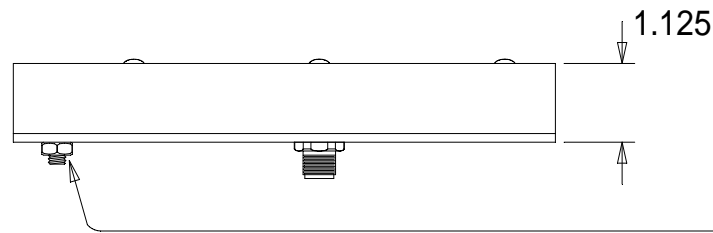


## BACK VIEW



Pyramid Imaging

Pyramid Imaging Inc  
945 East 11th Avenue  
Tampa, FL 33605  
<https://pyramidimaging.com>  
Sales@pyramidimaging.com  
(813) 984-0125



## SIDE VIEW

1/4-20 STUD  
FOR MOUNTING  
NUT INCLUDED

5-PIN REVERSE KEYED  
EUROFAST CONNECTOR

### WARNING!!!

DO NOT CONNECT LIGHT  
TO 24VDC. USE ONLY  
SPECTRUM ILLUMINATION  
LED DRIVER MODULE (LDM).  
FAILURE TO DO SO WILL  
RESULT IN PREMATURE  
LED BURNOUT AND WILL  
VOID THE WARRANTY.

# SP5.5 SPOT MOUNT SPECIFICATIONS