

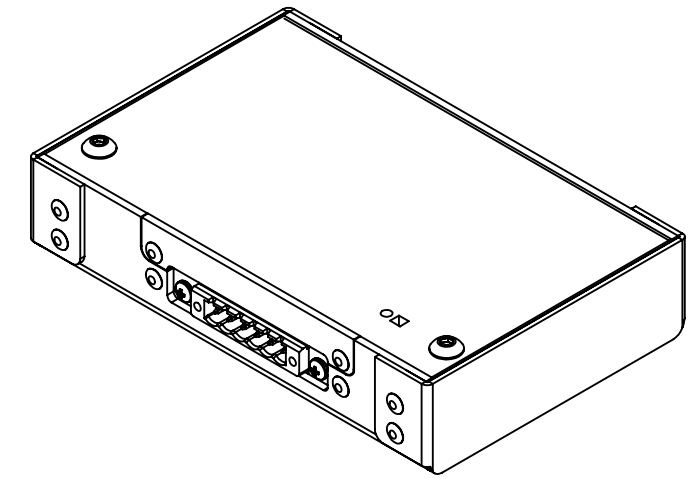
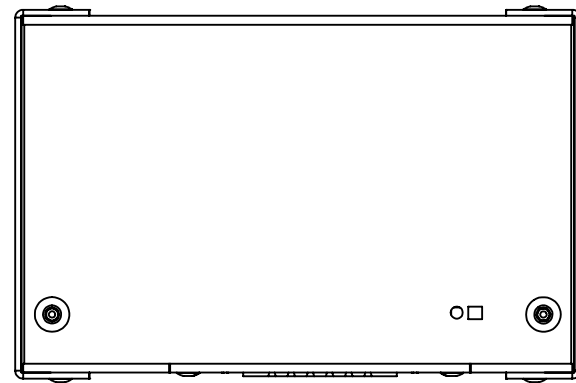
4

3

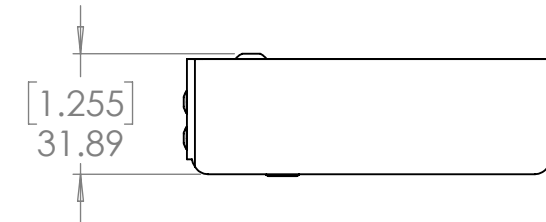
2

1

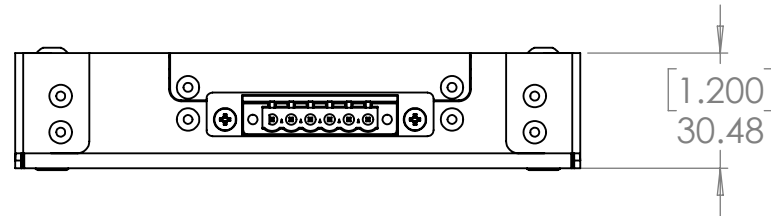
TOP VIEW



END VIEW

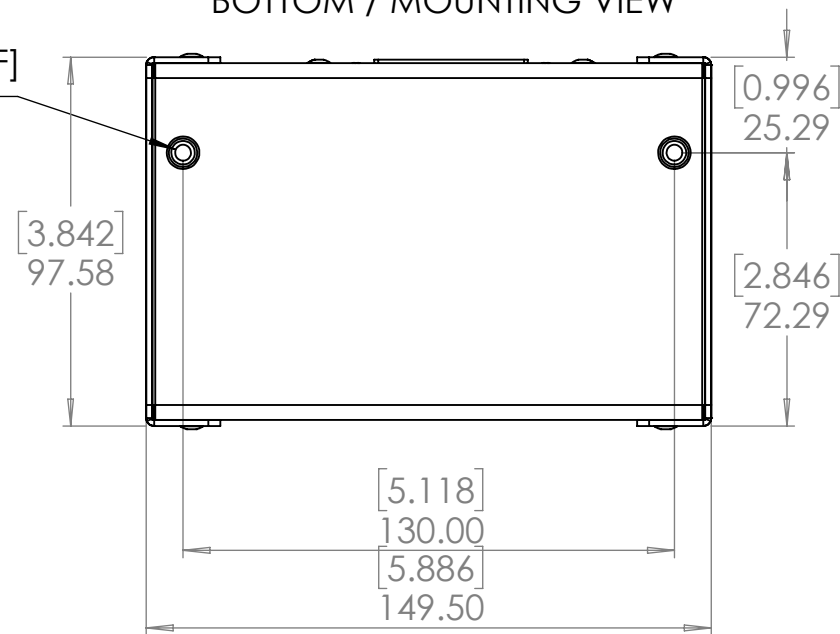


SIDE VIEW



BOTTOM / MOUNTING VIEW

2 x M5 X 0.8 [10-32UNF]  
15mm [0.59"] depth  
Mounting Holes



Pyramid Imaging Inc  
945 East 11th Avenue  
Tampa, FL 33605  
<https://pyramidimaging.com>  
Sales@pyramidimaging.com  
(813) 984-0125

**PROPRIETARY AND CONFIDENTIAL**  
THE INFORMATION CONTAINED IN THIS DRAWING IS THE SOLE PROPERTY OF SPECTRUM ILLUMINATION INC. ANY REPRODUCTION IN PART OR AS A WHOLE WITHOUT THE WRITTEN PERMISSION OF SPECTRUM ILLUMINATION INC IS PROHIBITED.

UNLESS OTHERWISE SPECIFIED:		NAME	DATE
DIMENSIONS ARE IN mm [INCHES]		DRAWN	DJH 02/06/20
TOLERANCES:		CHECKED	-
ANGULAR: MACH ± BEND ±		ENG APPR.	
ONE PLACE DECIMAL ±1.0		MFG APPR.	
TWO PLACE DECIMAL ±0.5		Q.A.	
THREE PLACE DECIMAL ±0.25		COMMENTS:	
INTERPRET GEOMETRIC TOLERANCING PER:			
MATERIAL	-		
FINISH	-		
DO NOT SCALE DRAWING			

<b>SPECTRUM ILLUMINATION</b> 5114 INDUSTRIAL PARK RD. MONTAGUE, MI 49437		
Description: XL2150 Double Row Linear Light		
SIZE	DWG. NO.	REV
<b>B</b>	XL2150 Complete	<b>A</b>
SCALE: 1:2	WEIGHT:	SHEET 1 OF 1

4

3

2

1

B

B

A

A