



US3[™]
VISION **GEN*i*CAM**



sensor information

sensor	ON Semiconductor PYTHON5000
resolution	2592 × 2048 px
exposure time	0,02 ... 1000 ms
pixel size	4.8 × 4.8 μm
shutter type	Global shutter
sensor type	1" CMOS

acquisition formats

image formats, interface	Full Frame, 2592 × 2048 px, max. 73 fps
frame rate max.	Binning 2×2, 1296 × 1024 px, max. 73 fps Binning 2×1, 1296 × 2048 px, max. 73 fps Binning 1×2, 2592 × 1024 px, max. 73 fps
pixel formats	Mono8 Mono10

image preprocessing

analog controls	Gain (0 ... 12 dB) Offset (0 ... 63 LSB 10 Bit)
color models	Mono

interfaces and connectors

data interface	USB 3.0, Transfer Rate 5000 Mbits/sec, Connector: USB 3.0 Micro B
process interface	M8 / 8 pins (SACC-DSI-M8MS-8CON-M8-L180)
power supply	via USB 3.0 interface

mechanical data

lens mount	C-mount
width	29 mm
height	29 mm
depth	38 mm
weight	≤ 90 g
material	zinc die casting, nickel-plated, IP 40

electrical data

power consumption	approx. 3,8 W @ 73,5 fps
operating voltage	5 VDC (via USB3.0 interface)

non-volatile memory

flash memory size	128 kB
-------------------	--------

environmental conditions

operating temperature	+5 ... +65 °C @ T = measurement point
humidity	10 ... 90 % (non-condensing)
protection class	IP 40

digital I/Os

lines	1 input line 1 output line 2 general purpose lines
-------	--

conformity

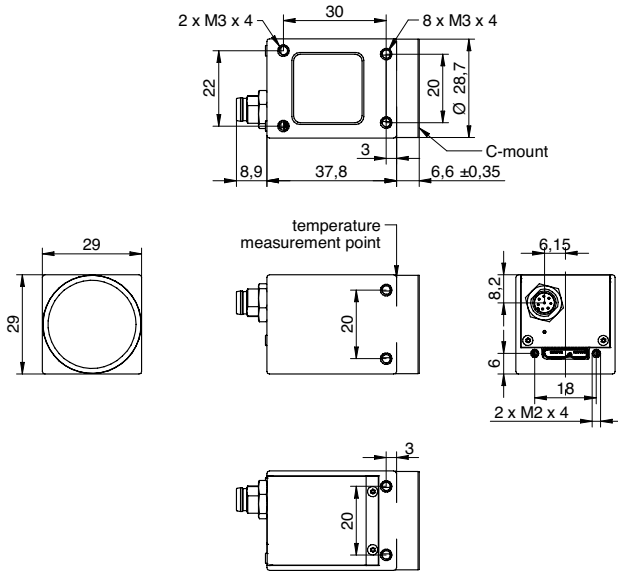
conformity	CE RoHS EAC
------------	-------------------

VCXU-53M

USB 3.0, 5,3 Megapixel, Monochrome

Article number: 11165900

dimension drawing



945 East 11th Avenue Tampa, FL 33605

Phone: (813) 984-0125

Contact: Sales@pyramidimaging.com

<https://pyramidimaging.com>