



USB³
VISION **GEN*i*CAM**



sensor information

sensor	Sony IMX174
resolution	1920 × 1200 px
exposure time	0,045 ... 60000 ms
pixel size	5.86 × 5.86 μm
shutter type	Global shutter
sensor type	1/1.2" CMOS

acquisition formats

image formats, interface	Full Frame, 1920 × 1200 px, max. 165 fps
frame rate max.	Binning 2×2, 960 × 600 px, max. 165 fps Binning 2×1, 960 × 1200 px, max. 165 fps Binning 1×2, 1920 × 600 px, max. 165 fps
pixel formats	Mono8 Mono10 Mono12 Mono12 Packed

image preprocessing

analog controls	Gain (0 ... 48 dB) Offset (0 ... 255 LSB 12 Bit)
color models	Mono

interfaces and connectors

data interface	USB 3.0, Transfer Rate 5000 Mbits/sec, Connector: USB 3.0 Micro B
process interface	M8 / 8 pins (SACC-DSI-M8MS-8CON-M8-L180)
power supply	via USB 3.0 interface

mechanical data

lens mount	C-mount
width	29 mm
height	29 mm
depth	38 mm
weight	≤ 90 g
material	zinc die casting, nickel-plated, IP 40

electrical data

power consumption	approx. 2,8 W @ 165 fps
operating voltage	5 VDC (via USB3.0 interface)

non-volatile memory

flash memory size	128 kB
-------------------	--------

environmental conditions

operating temperature	+5 ... +65 °C @ T = measurement point
humidity	10 ... 90 % (non-condensing)
protection class	IP 40

digital I/Os

lines	1 input line 1 output line 2 general purpose lines
-------	--

conformity

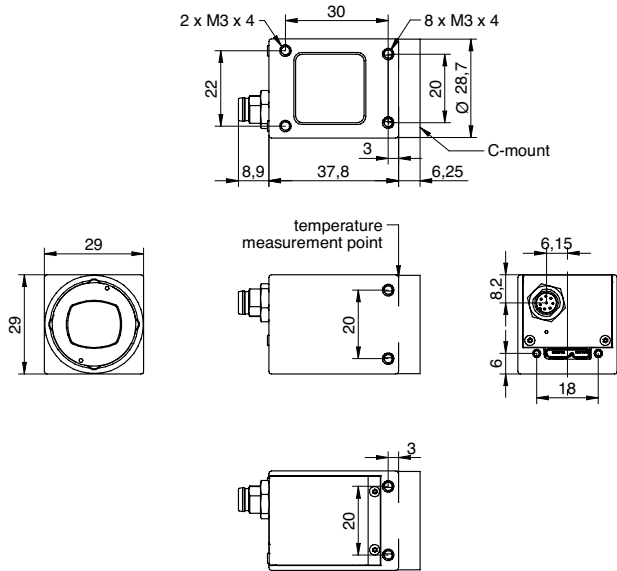
conformity	CE RoHS EAC
------------	-------------------

VCXU-23M

USB 3.0, 2,3 Megapixel, Monochrome

Article number: 11151219

dimension drawing



945 East 11th Avenue Tampa, FL 33605

Phone: (813) 984-0125

Contact: Sales@ pyramidimaging.com

<https://pyramidimaging.com>