



**USB**  
VISION **GEN*i*CAM**



sensor information	
sensor	Sony IMX273
resolution	1440 × 1080 px
exposure time	0,001 ... 60000 ms
pixel size	3.45 × 3.45 µm
shutter type	Global shutter
sensor type	1/2.9" CMOS
acquisition formats	
image formats, interface	Full Frame, 1440 × 1080 px, max. 225 fps
frame rate max.	Binning 2×2, 720 × 540 px, max. 500 fps Binning 2×1, 720 × 1080 px, max. 225 fps Binning 1×2, 1440 × 540 px, max. 225 fps
image formats, acquisition	Full Frame, 1440 × 1080 px, max. 227 fps
frame rate max. (Burst Mode)	
pixel formats	Mono8 Mono10 Mono12 Mono12 Packed
image preprocessing	
analog controls	Gain (0 ... 48 dB) Offset (0 ... 255 LSB 12 Bit)
color models	Mono
interfaces and connectors	
data interface	USB 3.0, Transfer Rate 5000 Mbits/sec, Connector: USB 3.0 Micro B
process interface	M8 / 8 pins (SACC-DSI-M8MS-8CON-M8-L180)
power supply	via USB 3.0 interface
mechanical data	
lens mount	C-mount
width	29 mm
height	29 mm
depth	38 mm

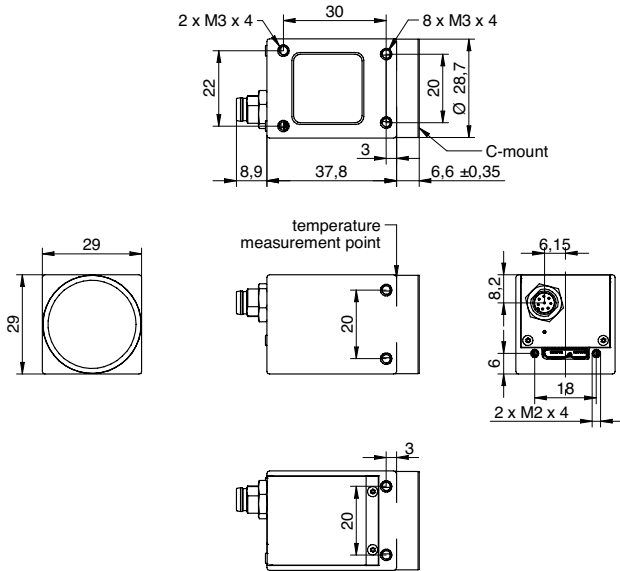
mechanical data	
weight	≤ 90 g
material	zinc die casting, nickel-plated, IP 40
electrical data	
power consumption	approx. 3,1 W @ 225 fps
operating voltage	5 VDC (via USB3.0 interface)
non-volatile memory	
flash memory size	128 kB
environmental conditions	
operating temperature	+5 ... +65 °C @ T = measurement point
humidity	10 ... 90 % (non-condensing)
protection class	IP 40
digital I/Os	
lines	1 input line 1 output line 2 general purpose lines
conformity	
conformity	CE RoHS EAC

# VCXU-15M

USB 3.0, 1,5 Megapixel, Monochrome

Article number: 11182972

## dimension drawing



945 East 11<sup>th</sup> Avenue Tampa, FL 33605

Phone: (813) 984-0125

Contact: Sales@pyramidimaging.com

<https://pyramidimaging.com>