



**US3<sup>™</sup>**  
VISION **GEN<i>i>CAM**



#### sensor information

sensor	ON Semiconductor PYTHON1300
resolution	1280 × 1024 px
exposure time	0,02 ... 1000 ms
pixel size	4.8 × 4.8 μm
shutter type	Global shutter
sensor type	1/2" CMOS

#### acquisition formats

image formats,	Full Frame, 1280 × 1024 px, max. 222 fps
interface	Binning 2×2, 640 × 512 px, max. 222 fps
frame rate max.	Binning 2×1, 640 × 1024 px, max. 222 fps Binning 1×2, 1280 × 512 px, max. 222 fps
pixel formats	Mono8 Mono10

#### image preprocessing

analog controls	Gain (0 ... 48 dB) Offset (0 ... 255 LSB 12 Bit)
color models	Mono

#### interfaces and connectors

data interface	USB 3.0, Transfer Rate 5000 Mbits/sec, Connector: USB 3.0 Micro B
process interface	M8 / 8 pins (SACC-DSI-M8MS-8CON-M8-L180)
power supply	via USB 3.0 interface

#### mechanical data

lens mount	C-mount
width	29 mm
height	29 mm
depth	38 mm
weight	≤ 90 g
material	zinc die casting, nickel-plated, IP 40

#### electrical data

power consumption	approx. 2,9 W @ 222 fps
operating voltage	5 VDC (via USB3.0 interface)

#### non-volatile memory

flash memory size	128 kB
-------------------	--------

#### environmental conditions

operating temperature	+5 ... +65 °C @ T = measurement point
humidity	10 ... 90 % (non-condensing)
protection class	IP 40

#### digital I/Os

lines	1 input line 1 output line 2 general purpose lines
-------	--

#### conformity

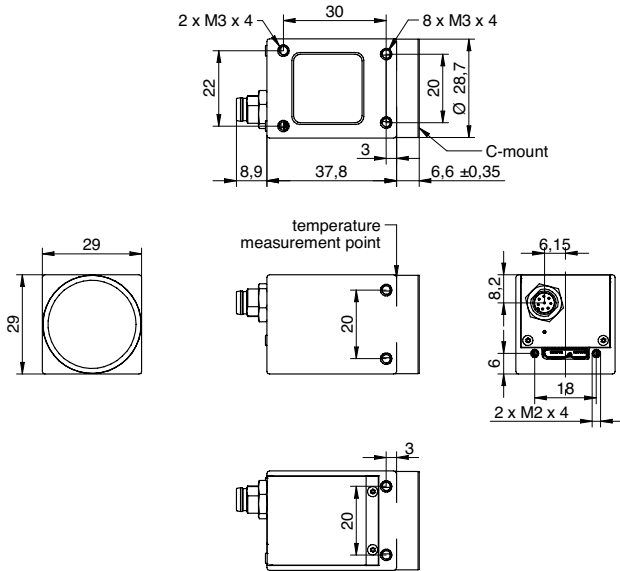
conformity	CE RoHS KC (MSIP-REI-BkR-VCXU13M) EAC
------------	--

# VCXU-13M

USB 3.0, 1,3 Megapixel, Monochrome

Article number: 11165908

## dimension drawing



945 East 11<sup>th</sup> Avenue Tampa, FL 33605

Phone: (813) 984-0125

Contact: Sales@pyramidimaging.com

<https://pyramidimaging.com>