



USB³
VISION **GEN*i*CAM**



sensor information

sensor	Sony IMX287
resolution	720 × 540 px
exposure time	0,001 ... 60000 ms
pixel size	6.9 × 6.9 μm
shutter type	Global shutter
sensor type	1/2.9" CMOS

acquisition formats

image formats, interface	Full Frame, 720 × 540 px, max. 431 fps
frame rate max.	Binning 2×2, 360 × 270 px, max. 431 fps Binning 2×1, 360 × 540 px, max. 431 fps Binning 1×2, 720 × 270 px, max. 431 fps
image formats, acquisition	Full Frame, 720 × 540 px, max. 437 fps
frame rate max. (Burst Mode)	
pixel formats	Mono8 Mono10 Mono12 Mono12 Packed

image preprocessing

analog controls	Gain (0 ... 48 dB) Offset (0 ... 255 LSB 12 Bit)
color models	Mono

interfaces and connectors

data interface	USB 3.0, Transfer Rate 5000 Mbits/sec, Connector: USB 3.0 Micro B
process interface	M8 / 8 pins (SACC-DSI-M8MS-8CON-M8-L180)
power supply	via USB 3.0 interface

mechanical data

lens mount	C-mount
width	29 mm
height	29 mm
depth	38 mm

mechanical data

weight	≤ 90 g
material	zinc die casting, nickel-plated, IP 40

electrical data

power consumption	approx. 2,6 W @ 431 fps
operating voltage	5 VDC (via USB3.0 interface)

non-volatile memory

flash memory size	128 kB
-------------------	--------

environmental conditions

operating temperature	+5 ... +65 °C @ T = measurement point
humidity	10 ... 90 % (non-condensing)
protection class	IP 40

digital I/Os

lines	1 input line 1 output line 2 general purpose lines
-------	----------------------------------------------------------

conformity

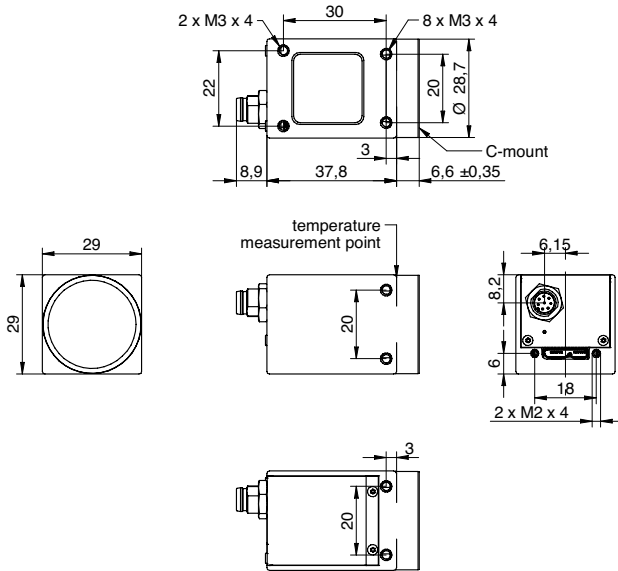
conformity	CE RoHS EAC
------------	-------------------

VCXU-04M

USB 3.0, 0,3 Megapixel, Monochrome

Article number: 11183218

dimension drawing



945 East 11th Avenue Tampa, FL 33605

Phone: (813) 984-0125

Contact: Sales@ pyramidimaging.com

<https://pyramidimaging.com>