



sensor information

sensor	Sony IMX267
resolution	4096 × 2160 px
exposure time	0,001 ... 60000 ms
pixel size	3.45 × 3.45 μm
shutter type	Global shutter
sensor type	1" CMOS

acquisition formats

image formats, interface	Full Frame, 4096 × 2160 px, max. 13 fps
frame rate max.	Binning 2×2, 2048 × 1080 px, max. 21 fps Binning 2×1, 2048 × 2160 px, max. 21 fps Binning 1×2, 2048 × 1080 px, max. 21 fps
image formats, acquisition	Full Frame, 4096 × 2160 px, max. 21 fps
frame rate max. (Burst Mode)	
pixel formats	BayerRG8 BayerRG10 BayerRG12 BayerRG12 Packed Mono8 Mono10 Mono12 Mono12 Packed RGB8 BGR8

image preprocessing

color models	Mono Raw Bayer RGB
--------------	--------------------------

interfaces and connectors

data interface	Gigabit Ethernet, Transfer rate 1000 Mb/s/sec, Fast Ethernet, Transfer Rate 100 Mb/s/sec, Connector: 8P8C Modular Jack (RJ45), screwable type
process interface	M8 / 8 pins (SACC-DSI-M8MS-8CON-M8-L180)

interfaces and connectors

power supply	M8 / 8 pins or PoE
--------------	--------------------

mechanical data

lens mount	C-mount
width	29 mm
height	29 mm
depth	49 mm
weight	≤ 120 g
material	zinc die casting, nickel-plated, IP 40

electrical data

voltage supply	12 ... 24 V DC (external power supply)
range +Vs	36 ... 57 V DC (Power over Ethernet)
power consumption	approx. 2,6 W @ 12 VDC and 13 fps approx. 3,2 W @ 48 VDC (PoE) and 13 fps

non-volatile memory

flash memory size	128 kB
-------------------	--------

environmental conditions

operating temperature	+5 ... +65 °C @ T = measurement point
humidity	10 ... 90 % (non-condensing)
protection class	IP 40

digital I/Os

lines	1 input line 1 output line 2 general purpose lines
-------	--

conformity

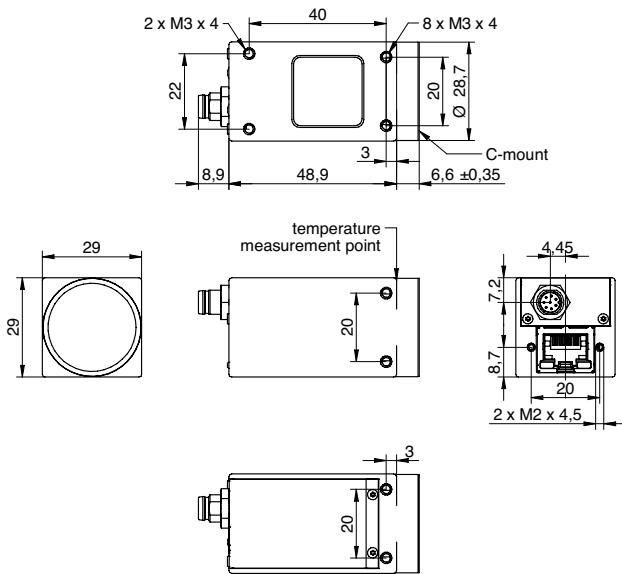
conformity	CE RoHS EAC
------------	-------------------

VCXG-91C

Gigabit Ethernet, 8,8 Megapixel, Color

Article number: 11173819

dimension drawing



945 East 11th Avenue Tampa, FL 33605

Phone: (813) 984-0125

Contact: Sales@ pyramidimaging.com

<https://pyramidimaging.com>