



GigE
VISION **GEN<i>i>CAM**



sensor information

sensor	ON Semiconductor PYTHON2000
resolution	1920 × 1200 px
exposure time	0,02 ... 1000 ms
pixel size	4.8 × 4.8 μm
shutter type	Global shutter
sensor type	2/3" CMOS

acquisition formats

image formats, interface	Full Frame, 1920 × 1200 px, max. 53 fps
frame rate max.	Binning 2×2, 960 × 600 px, max. 59 fps Binning 2×1, 960 × 1200 px, max. 59 fps Binning 1×2, 1920 × 600 px, max. 59 fps

image formats, acquisition frame rate max. (Burst Mode)	Full Frame, 1920 × 1200 px, max. 59 fps
---	---

pixel formats	Mono8 Mono10
---------------	-----------------

image preprocessing

analog controls	Gain (0 ... 12 dB) Offset (0 ... 63 LSB 10 Bit)
-----------------	--

color models	Mono
--------------	------

interfaces and connectors

data interface	Gigabit Ethernet, Transfer rate 1000 Mb/s/sec, Fast Ethernet, Transfer Rate 100 Mb/s/sec, Connector: 8P8C Modular Jack (RJ45), screwable type
process interface	M8 / 8 pins (SACC-DSI-M8MS-8CON-M8-L180)
power supply	M8 / 8 pins or PoE

mechanical data

lens mount	C-mount
width	29 mm
height	29 mm
depth	49 mm

mechanical data

weight	≤ 120 g
material	zinc die casting, nickel-plated, IP 40

electrical data

voltage supply	12 ... 24 V DC (external power supply)
range +Vs	36 ... 57 V DC (Power over Ethernet)
power consumption	approx. 3,0 W @ 12 VDC und 53,0 fps approx. 3,6 W @ 48 VDC (PoE) und 53,0 fps

non-volatile memory

flash memory size	128 kB
-------------------	--------

environmental conditions

operating temperature	+5 ... +65 °C @ T = measurement point
humidity	10 ... 90 % (non-condensing)
protection class	IP 40

digital I/Os

lines	1 input line 1 output line 2 general purpose lines
-------	--

conformity

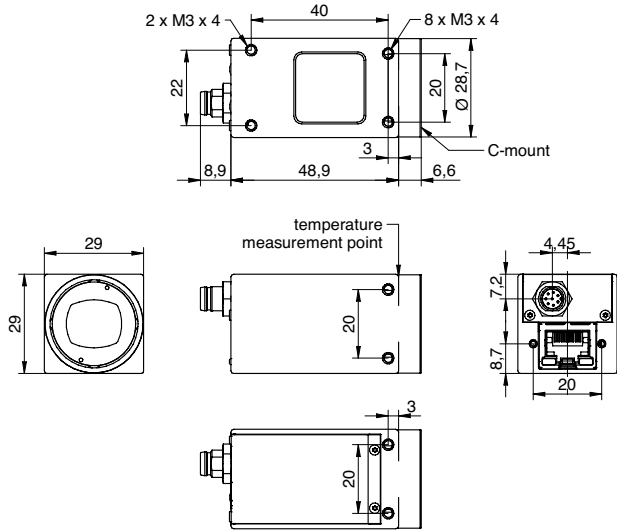
conformity	CE RoHS KC (MISP-REI-BkR-VCXG-53M) EAC
------------	---

VCXG-25M

Gigabit Ethernet, 2,3 Megapixel, Monochrome

Article number: 11165829

dimension drawing



945 East 11th Avenue Tampa, FL 33605

Phone: (813) 984-0125

Contact: Sales@pyramidimaging.com

<https://pyramidimaging.com>