



GigE
VISION

GEN<i>i>CAM



sensor information

sensor	Sony IMX249
resolution	1920 × 1200 px
exposure time	0,057 ... 60000 ms
pixel size	5.86 × 5.86 µm
shutter type	Global shutter
sensor type	1/1.2" CMOS

acquisition formats

image formats, interface	Full Frame, 1920 × 1200 px, max. 38 fps
frame rate max.	Binning 2×2, 960 × 600 px, max. 38 fps Binning 2×1, 960 × 1200 px, max. 38 fps Binning 1×2, 1920 × 600 px, max. 38 fps
image formats, acquisition	Full Frame, 1920 × 1200 px, max. 38 fps
frame rate max. (Burst Mode)	
pixel formats	Mono8 Mono10 Mono12 Mono12 Packed

image preprocessing

analog controls	Gain (0 ... 48 dB) Offset (0 ... 255 LSB 12 Bit)
color models	Mono

interfaces and connectors

data interface	Gigabit Ethernet, Transfer rate 1000 Mb/s/sec, Fast Ethernet, Transfer Rate 100 Mb/s/sec, Connector: 8P8C Modular Jack (RJ45), screwable type
process interface	M8 / 8 pins (SACC-DSI-M8MS-8CON-M8-L180)
power supply	M8 / 8 pins or PoE

mechanical data

lens mount	C-mount
width	29 mm
height	29 mm

mechanical data

depth	49 mm
weight	≤ 120 g
material	zinc die casting, nickel-plated, IP 40

electrical data

voltage supply	12 ... 24 V DC (external power supply)
range +Vs	36 ... 57 V DC (Power over Ethernet)
power consumption	approx. 2,6 W @ 12 VDC and 38,5 fps approx. 2,8 W @ 48 VDC (PoE) and 38,5 fps

non-volatile memory

flash memory size	128 kB
-------------------	--------

environmental conditions

operating temperature	+5 ... +65 °C @ T = measurement point
humidity	10 ... 90 % (non-condensing)
protection class	IP 40

digital I/Os

lines	1 input line 1 output line 2 general purpose lines
-------	--

conformity

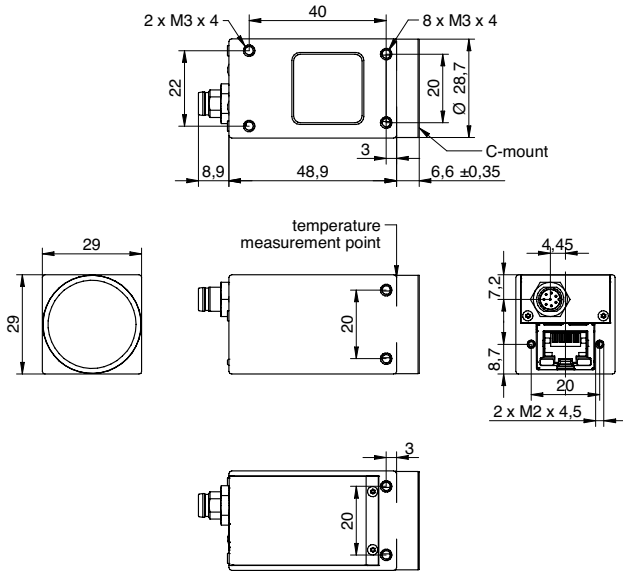
conformity	CE RoHS EAC
------------	-------------------

VCXG-24M

Gigabit Ethernet, 2,3 Megapixel, Monochrome

Article number: 11165944

dimension drawing



945 East 11th Avenue Tampa, FL 33605

Phone: (813) 984-0125

Contact: Sales@pyramidimaging.com

<https://pyramidimaging.com>